

# Logic+ & Axiom® Biological Safety Cabinets





## Table of Contents

<b>The Labconco Difference</b>	3	<b>Specialized Class II Biosafety Cabinets &amp; Enclosures</b>	13
<b>Biosafety Cabinets At-a-Glance</b>		<b>Logic+ Class II, Type A2 Biosafety Cabinets</b>	14-17
Steps to Selecting a Biosafety Cabinet	4	<b>Logic+ Class II, Type B2 Biosafety Cabinets</b>	18-21
Biosafety Cabinet Product Lines	5	<b>Axiom Class II, Type C1 Biosafety Cabinets</b>	22-25
<b>Class II Biosafety Cabinets</b>		<b>Biosafety Cabinet Accessories</b>	26
At a Glance	6	Cell Logic+ Accessories	28-29
Safety Features	7	Exhaust Components	30
Performance Features	8	Class II Base Stands	31-33
Comfort Features	9	<b>Class I Biosafety Cabinet</b>	34-36
<b>Class II, Type C1 Biosafety Cabinets</b>		Accessories	36-37
Overview	10	Base Stands	38-39
Flexibility	11		
Safety	12		

# The Labconco difference.

**Safety.** Labconco Biosafety Cabinets (BSCs) exceed current conventional BSC standards. A unique line-of-sight display clearly indicates system performance. Each cabinet is designed and manufactured with multiple fail-safe technologies. Labconco BSCs provide unmatched safety when things don't go as expected.

**Performance.** Work smarter with Labconco BSCs. Built-in system intelligence accurately maintains proper airflow, even as the HEPA filters load. Quiet, energy-saving Electronically Commutated Motors (ECMs) use our exclusive Constant Airflow Profile™ (CAP) Technology to keep you working happier and healthier.

**Comfort.** We've been at the forefront of BSC design for decades. Consider our angled sash that we pioneered in 1983. Plus our industry-exclusive curved airfoil and large work area. We thoughtfully design every feature for your work in the cabinet.

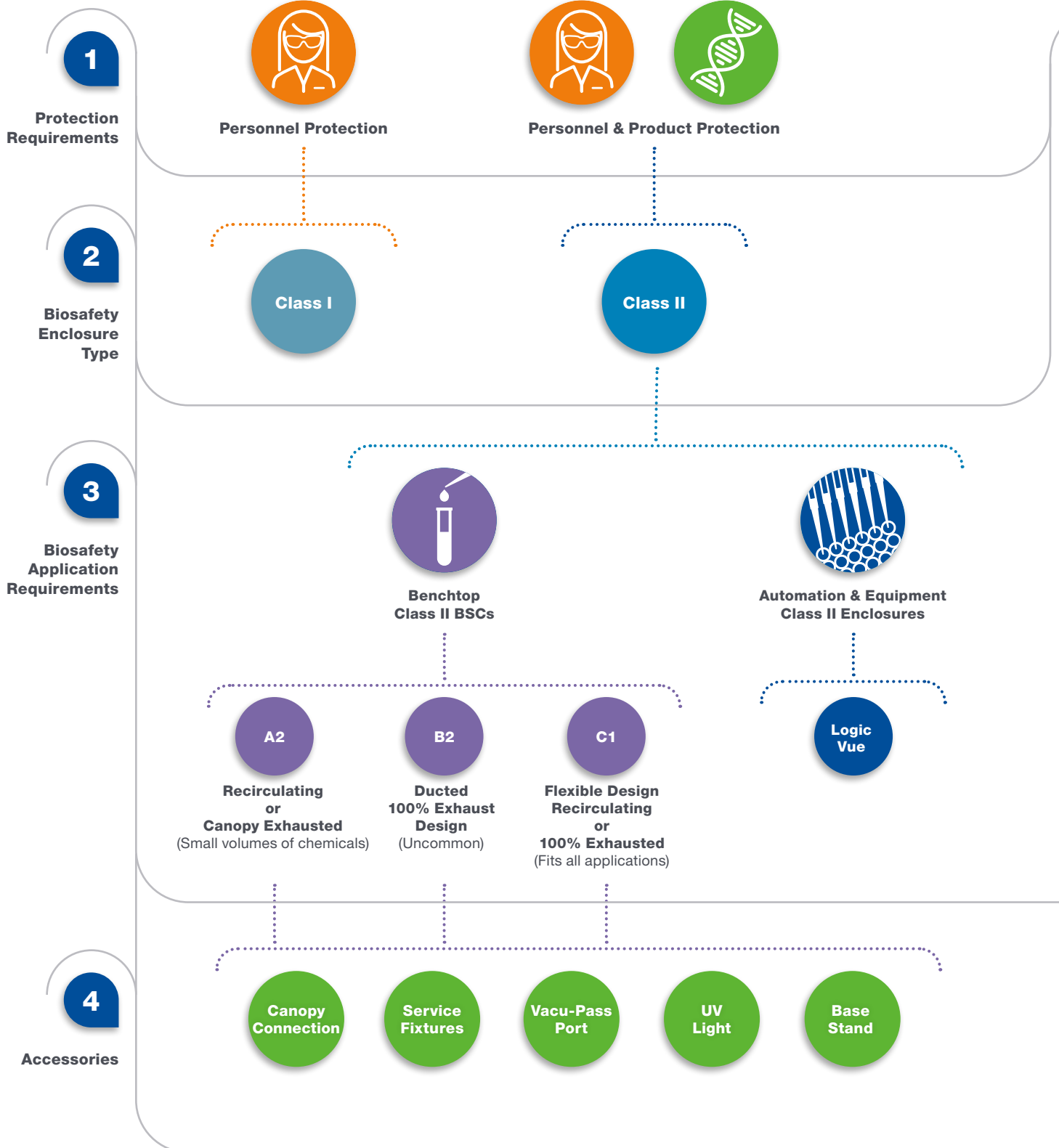
Safety, performance and comfort you can rely on.  
That's the Labconco difference.





# Labconco Biosafety Cabinets & Enclosures

## Steps to Selecting a Biosafety Enclosure





# Labconco Biosafety Cabinets & Enclosures

## Class I and II Products

### Class II Biosafety Cabinets



**Logic+ Type A2**  
70:30 Recirculating:Exhausted  
Recirculated or Canopy Ducted



**Logic+ Type B2**  
100% Exhausted  
Ductwork Required



**Axiom Type C1**  
Recirculating or 100% Ducted  
Maximum Flexibility & Safety



### Class I Biosafety Cabinet



### Large Biosafety Enclosures



**Logic Vue**



#### Accessory Package



Service Fixture(s)



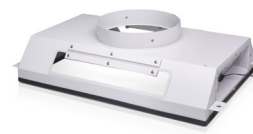
Vacu-Pass Portal



UV Light



Base Stand



Canopy Connection  
(A2 Only)

# Labconco Class II Biosafety Cabinets

## At a Glance



	Logic+ Type A2	Logic+ Type B2	Axiom Type C1
Protection	Product Personnel Environment	Product Personnel Environment	Product Personnel Environment
Typical Applications	Cell/Tissue culture Microbiology Pathology/Clinical Pharmacy Work involving minute volumes of chemicals*	All A2 applications, plus: Work with larger volumes of volatile chemicals	All A2 and B2 applications
Biosafety Level**	1,2,3 and 4	1,2,3 and 4	1,2,3 and 4
Ducting	Recirculate to room or Vented with Canopy Connection & ductwork	100% Vented (Total Exhaust)***	Recirculating A Mode or 100% Vented B Mode with ductwork and integrated Canopy Connection
Energy Requirements	\$	\$\$\$	\$
Compliance	NSF/ANSI 49 Listed ISO Class 5 (ISO 14644) Grade A Air (EU GMP) USP <797> & USP <800> with canopy UL/ETL 610101-1 CAN/CSA 22.2 61010-1 CE Mark	NSF/ANSI 49 Listed ISO Class 5 (ISO 14644) Grade A Air (EU GMP) USP <797> & USP <800> with canopy UL/ETL 610101-1 CAN/CSA 22.2 61010-1 CE Mark	NSF/ANSI 49 Listed ISO Class 5 (ISO 14644) Grade A Air (EU GMP) USP <797> & USP <800> in B Mode UL/ETL 610101-1 CAN/CSA 22.2 61010-1 CE Mark
Flexibility	++	+	+++

\*Canopy connection and exhaust ductwork required.

\*\*Biosafety in Microbiological and Biomedical Laboratories (BMBL) 6th Edition

\*\*\*Dedicated ductwork required for each Type B2 cabinet per CETA CAG-007

# Labconco Class II Biosafety Cabinets

## Safety Features

**Unitized Construction** – Welded 304 Stainless Steel hull and solid steel plenum are pressure tested and built to last.

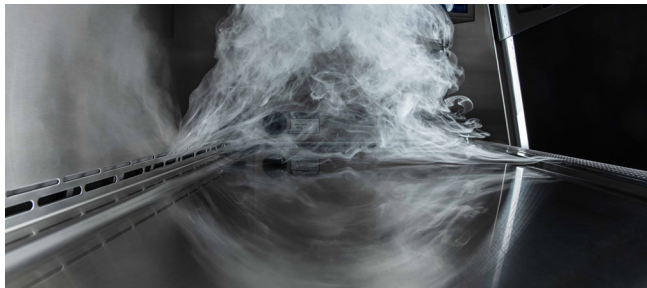
**HEPA Filters** – 99.99+% efficient, creating an ISO 5 environment. ULPA option also available.

**LED Lighting** – Brightly illuminates the interior up to 156 foot-candles (1,679 lux) for maximum visibility.

**Easy to Decontaminate** – Constructed with Type 304 Stainless Steel and Safety Glass.

**Dished Work Surface** – Helps contain spills for easier cleaning. Lift knobs make lifting the work surface easy when thorough cleaning is required.

**Line-of-sight Display and Touch-pad Controls** – All are within reach while seated.



**Airflow stability with CAP™** – Constant Airflow Profile (CAP) precisely monitors and maintains airflow. Speed and torque are constantly adjusted to maintain airflow within 2% of original calibration. As traditional airflow sensors are only adjusted once or twice a year during calibration, CAP sets a new standard in active airflow monitoring. With CAP, safe airflow is assured at all times.

**MyLogic™ OS** – Convenient line-of-site display shows cabinet status clearly, with easy-to-understand graphics, including filter life, blower condition, alerts and alarms.



Shown with optional inflow and downflow sensor kit



Sash height alarm shown



# Labconco Class II Biosafety Cabinets

## Performance Features

### Sustainability with ECM.

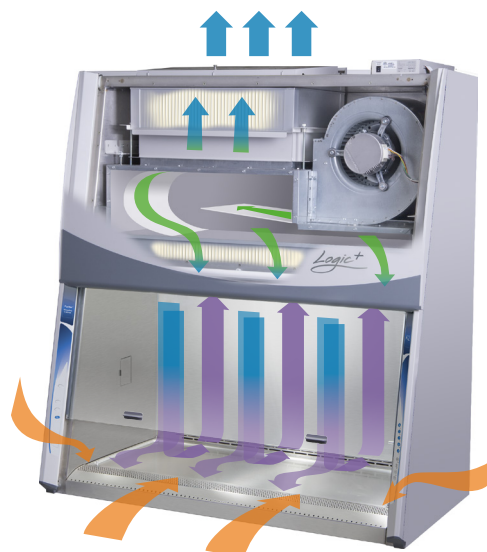
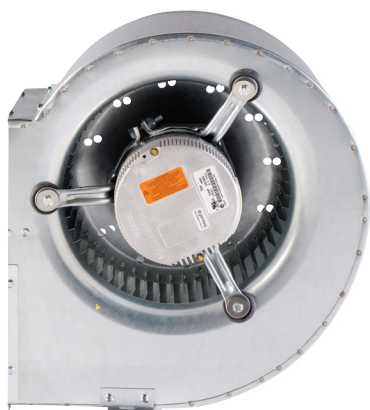
Labconco BSCs save on energy while providing longevity and comfort. Logic+ and Axiom BSCs are powered by innovative Electronically Commutated Motor (ECM) technology that makes a difference.

- Drastically reduced energy consumption
- Quiet operation for comfortable lab conditions
- 15+ year average motor life eliminates service costs
- 10+ year filter life reduces expensive replacement costs
- Generates less heat for cooler working conditions

### Airflow stability with CAP.

Constant Airflow Profile (CAP) sets a new standard in BSC airflow control to keep you safe. Auto-adjusting airflow ensures your BSC never misses a beat while you work.

- Auto-adjusts BSC airflows as filters load to keep you safe.
- Precise operation keeps BSC airflows within 2% of their original setpoint.
- Eliminates the need for airflow sensors, which are less accurate and require recalibration at least annually



### Operating Cost Comparison

BSC Energy Usage*	Labconco A2	Other Cabinet A	Other Cabinet B	Other Cabinet C
<b>Motor Type</b>	ECM	AC 3-Phase	ECM	ECM
<b>Energy Consumption (watts)</b>	210	414	299	180
<b>Annual Energy Cost**</b>	\$57.79	\$113.93	\$82.28	\$49.53
<b>Annual Certification</b>	\$250	\$250	\$250	\$250
<b>Filter Change(s)</b>	\$1,500	\$1,500	\$1,500	\$3,000
<b>15-year Operational Cost</b>	<b>\$6,117</b>	<b>\$6,959</b>	<b>\$6,484</b>	<b>\$7,493</b>

\*Based on 4-ft, 8" sash opening BSC, recirculating

\*\*Based on 8-hr day, 2080 hours per year at \$0.1323/kWh

# Labconco Class II Biosafety Cabinets

## Comfort Features



**Line-of-sight Display and Touch-pad Controls –**  
All are within reach while seated.

**Service Fixtures, Outlets, and Controls –** All within reach and ADA compliant. Helping with accessibility and cleanability to prevent unnecessary contamination

**Largest Work Interior –** The most cubic feet of workspace across all manufacturers.

**Sloped Sliding Sash –** 10° angle for a close, comfortable view, unobstructed by exterior mounted sash handles.

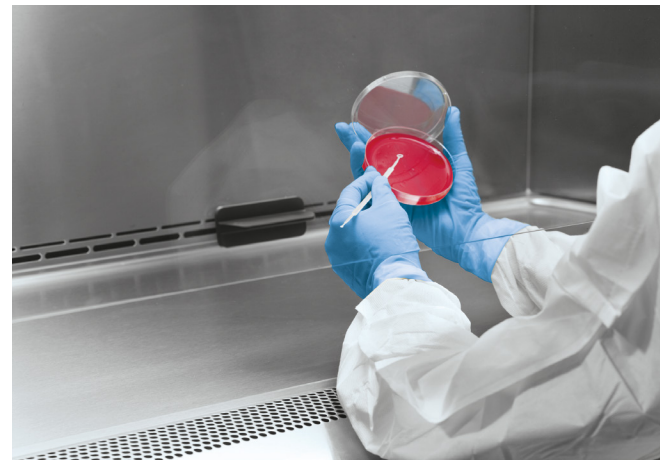
**Quiet ECM Blower –** Meets NSF requirements for quiet operation and runs cooler than other comparable motors.

**Bright LED Lighting –** Illuminates the interior up to 156 foot-candles (1,679 lux) for maximum visibility.

**Hydraulic Base Stands –** Easily adjust work height to accommodate many users.



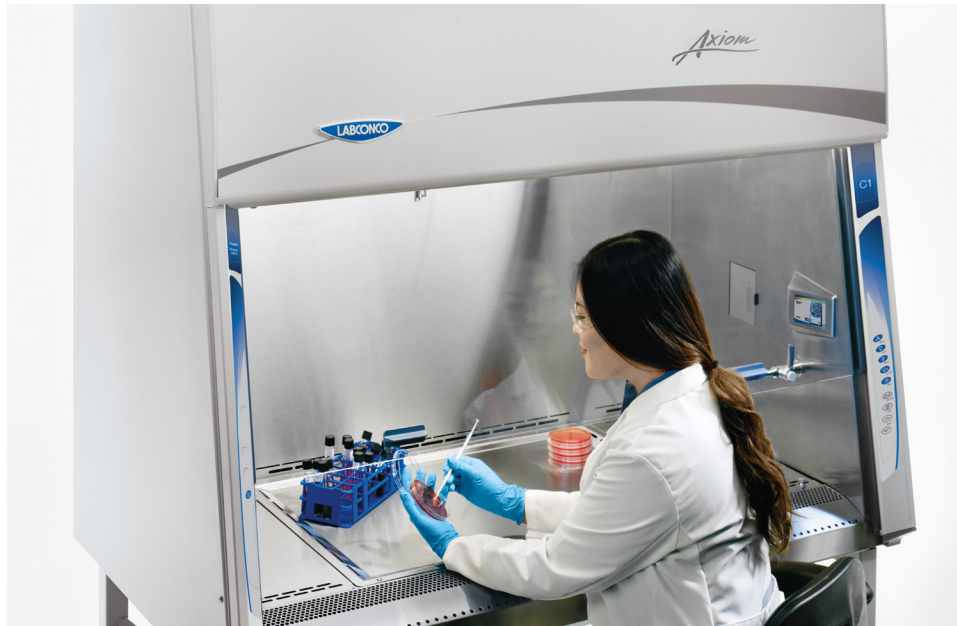
**Electrical Outlet Cover –** Can be opened with one finger and then gently and slowly self-closes. Mounts flush and flat against the side wall for complete decontamination.



**Curved Inlet Grille –** Provides comfortable area to rest arms. No additional armrests are needed.

# Labconco Class II, Type C1 Biosafety Cabinets

## Overview



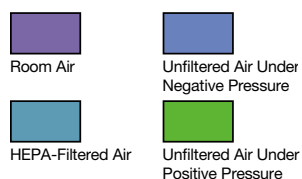
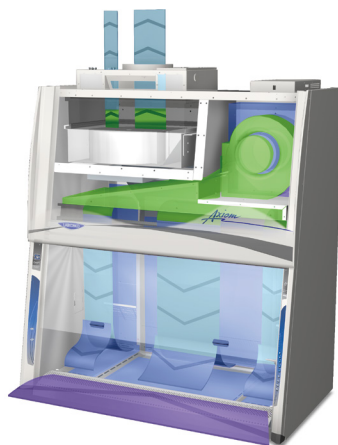
### Unmatched Safety, Flexibility, and Sustainability

The Type C1 BSC is the next generation BSC you've been waiting for. The first new BSC style in more than 25 years, the Type C1 is designed to flex and grow with you. This unique cabinet helps your lab adapt to whatever comes next, while providing safety and efficiency unavailable in

other cabinet types. The first and only cabinet that can switch between A Mode and B Mode, the Axiom Class II, Type C1 sets a new standard. NSF 49 approved, the Axiom provides a whole new experience in the same Labconco design you've grown accustomed to using.

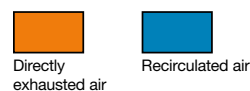
### A mode

When operated in A Mode, room air is drawn into the inlet grille and directed below the plenum of the work surface where it mixes with air that has passed over the areas on either side of the Chem-Zone. This contaminated air mixture is drawn through the back plenum where it is recirculated through the supply HEPA filter and back over the work area. Air passing over the Chem-Zone is directed through the exhaust HEPA filter and returned to the room.



### B mode

When operated in B Mode, 100% of the air passing over the Chem-Zone is directed through the exhaust HEPA filter and delivered to the ductwork where house exhaust can take over. Air passing over the areas on either side of the Chem-Zone is recirculated through the cabinet.





# Labconco Class II, Type C1 Biosafety Cabinets

## Flexibility

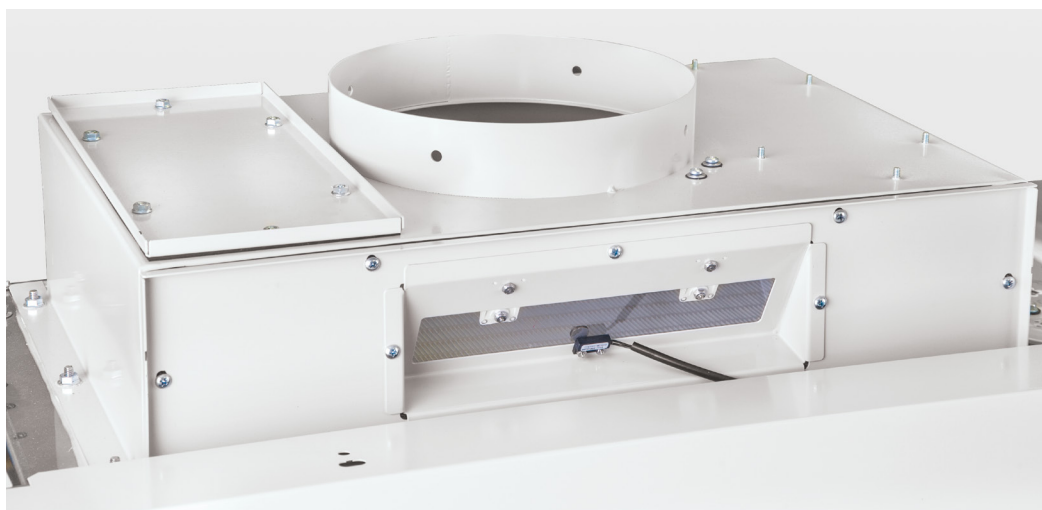
### Omni-Flex™ Design

Unlike Type A2, B1 and B2 cabinets, the Axiom can adapt as needs change. Omni-Flex allows for installation in recirculating A Mode or in ducted B Mode for use with hazardous vapors. If your applications change, simply connect or disconnect the Axiom from exhaust.

The Axiom can be tied into almost any existing building ventilation system with sufficient exhaust reserve. Unlike B cabinets, no costly, dedicated remote blower and dedicated ductwork are required. The blower for a B1 or

B2 cabinet must be oversized to account for an increase of 4.0" w.g. or greater as the exhaust HEPA filter loads. Because the total exhaust area of the Axiom is limited to the Chem-Zone, exhaust air volume is reduced to ≈40% of a standard Class II, Type B1 or B2.

The Axiom's dedicated exhaust blower delivers air to the building exhaust at ≈0.3" w.g. throughout the life of the cabinet. The table below shows the reduced upfront installation cost compared to a Type B1 or B2.



To switch from B Mode to A Mode, disconnect the cabinet from the ductwork and move the plate from the left side of the exhaust collar to the right. Use the MyLogic Software to program the cabinet for A Mode and have the cabinet certified. To switch from A Mode to B Mode, connect the cabinet to ductwork, move the plate from the right side to the left side, use the MyLogic Software to change the programming and have the cabinet certified.

### Installation and Operating Cost Comparison

15 Year Costs*	Type A2	Type A2 With Canopy	Type B1	Type B2	Axiom Type C1	
					In A Mode	In B Mode
<b>Upfront Installation</b>	\$300	\$400	\$5,150	\$5,150	\$300	\$400
<b>Lifetime Maintenance</b>	\$4,500	\$4,500	\$4,500	\$4,500	\$4,500	\$4,500
<b>Lifetime Operation</b>	N/A	\$40,500	\$40,500	\$87,000	N/A	\$42,000
<b>Estimated Total Cost</b>	<b>\$4,800</b>	<b>\$45,400</b>	<b>\$50,150</b>	<b>\$96,650</b>	<b>\$4,800</b>	<b>\$46,900</b>

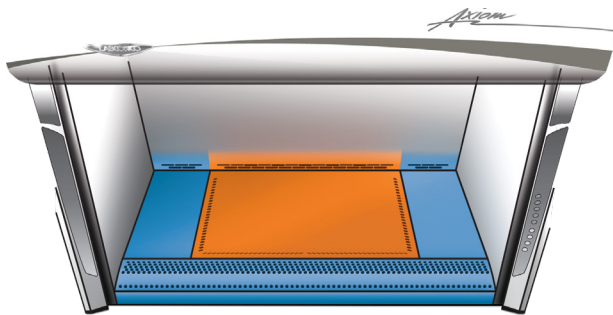
\*Upfront installation costs include labor, ductwork, blower (where applicable) and electrical hook up. Lifetime maintenance costs include HEPA filters and annual certification. Lifetime operation cost is cost of exhausted air of \$8/year/CFM for 15 years.

# Labconco Class II, Type C1 Biosafety Cabinets

## Safety

### Chem-Zone™ Work Surface

Key to the Axiom is its unique work surface. The surface consists of three pieces—the Chem-Zone dished center and two flat sides. The surface layout promotes the proper technique of organizing your work flow from clean to dirty. The Chem-Zone middle gives you ample room to perform your critical operations while containing spills. The ends function as storage for consumables and waste.



Shown in orange, the Chem-Zone is dished and delineated by airflow slots. Chem-Zone provides the primary working area for critical operator actions. The surfaces on either side of the Chem-Zone serve as staging areas.

When the Axiom is in A Mode, the filtered air is simply recirculated back into the lab. A Mode functions just as Type A2 cabinet. When the Axiom is operated in B Mode, all chemical vapors and particulates generated from work in the Chem-Zone area are ensured a direct path to the exhaust filter, similar to how a B2 cabinet functions. One hundred percent of air is exhausted to the outside. Inflow air at the front grille and air from either side of the Chem-Zone are recirculated to save energy when operating in B Mode.

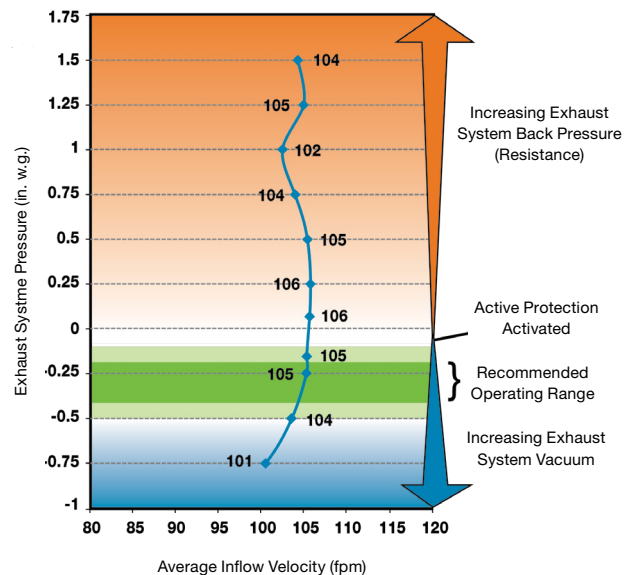
### Active Protection Protocol (APP)

Provides an additional level of user safety only found on the Axiom Type C1 BSC. Designed to extend cabinet operation during building exhaust failure, APP utilizes the Axiom's dual intelligent CAP motors to keep the BSC running safely in the event of a building exhaust failure.

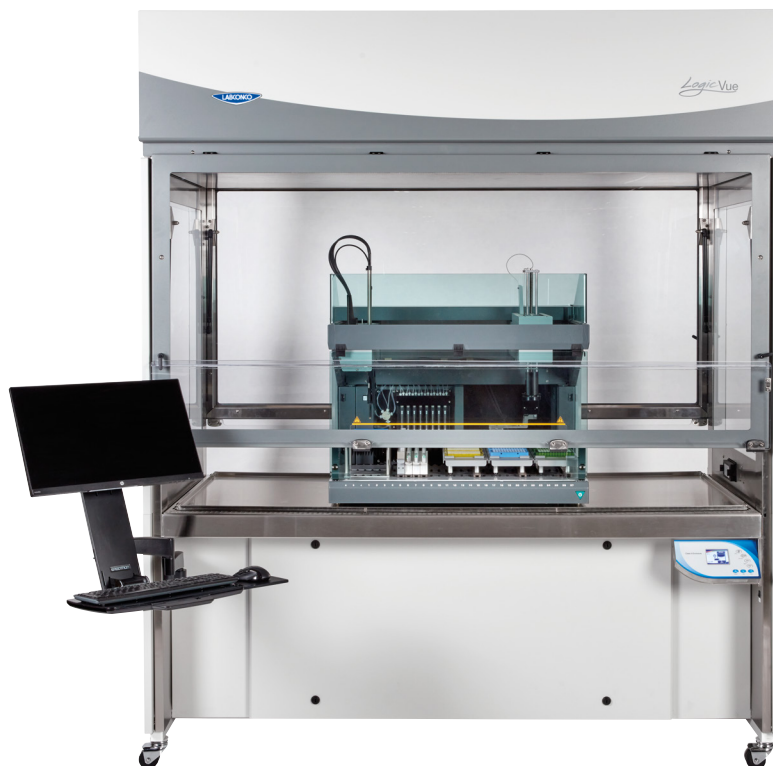
Exhausted BSC Safety - Remote Exhaust Failure		
	Biological Safety	Chemical Safety
Type A2	Yes	No
Type B2	No	No
Type C1	Yes	Yes

Should the building exhaust fail, the Axiom will begin Active Protection Protocol within 1 second. Safe airflows are maintained for up to five minutes, even with a completely dead remote exhaust blower. 4' Axiom models can exceed a static pressure of 1.5" w.g., which equates to 2,100' of straight 10" dia. duct. The 6' Axiom handles up to 1.0" w.g., which equates to 650' of straight 10" dia. duct.

### Active Protection Protocol Inflows as Exhaust System Pressure Varies



# Specialized Class II Biosafety Cabinets & Enclosures



**Logic® Vue** – Class II containment for automated liquid handlers, bioprinters, cell sorters and more. See separate Logic Vue brochure for details.



**Integrated Display Screen** – Easily implement pharmacy IV verification systems and other protocol-driven work.



**Environmental Monitoring** – Solutions for non-viable and viable sampling in aseptic GMP environments.



# Logic<sup>®</sup>+ Class II, Type A2 Biosafety Cabinets

## Features & Benefits

### Class II Airflow

Provides Personnel, Product, and Environmental protection from hazardous pathogens and particles.

### Type A2

- Approximately 70% Recirculated, 30% Exhausted
- Recirculating or Canopy Ducted

### NSF 49 Listed

Each Labconco Class II BSC exceeds globally recognized performance and construction requirements.

### Unitized Construction

A welded 304 Stainless Steel cabinet hull, dished work surface, and solid steel plenum are built to last.

### HEPA Filtration

Dual filters are 99.99+% efficient (at 0.3 microns), providing ISO 5 or better air.

### Sustainable Design

Each cabinet is constructed with more than 70% recycled materials. An ECM motor and LED lighting consume as little as 200 watts.

### Constant Airflow Profile™

Continuously monitors and maintains inflow and downflow to protect users and samples.

### ECM Blower

Uses minimal energy, is quieter, and provides constant airflow with CAP™.

### Inclination Technology

A sloped sash, curved airfoil free of armrests, large working area, and eye-level display maximize comfort.

### MyLogic™ OS

Conveniently displays cabinet information on line-of-sight screen.

### Easily Cleanable

304 Stainless Steel interior withstands routine disinfection. Covered corners and dished work surface are easily cleanable.



## MyLogic™ OS Information Center



### LCD Display

Clearly visualizes cabinet conditions in eight languages.

### Filter Life Indicator

Accurately displays remaining HEPA filter life. Alerts users at 20% and 10% before alarming at 0%.

### Blower Status

Displays when blower is turned On, in Night-Smart mode, or Off.

### Alerts & Alarms

Visual and audible signals notify users of unsafe cabinet conditions.

### Interface Convenience

MyLogic includes a built-in UV timer, Smart-Start™, 8 languages and a full certification menu.

### Data Connectivity

Exports system information via USB or dry contact relays for remote monitoring.

# Logic+ Class II, Type A2 Biosafety Cabinets

## Ordering Information

### Catalog Number Configurator:

Use this key to configure the nine digit catalog number to order your Logic+ or Cell Logic+ Class II, Type A2 Biosafety Cabinet.



Select **LOGIC+ PACKAGE(S)**. This is the second digit of your catalog number.

- 0 = None
- 2 = Temp-Zone. Fifth digit is 9 and sixth digit is 1
- 3 = Scope-Ready. Fifth digit is 9 and sixth digit is 1
- 4 = Temp-Zone and Scope-Ready. Fifth digit is 9 and sixth digit is 1

Select the **WIDTH** of your cabinet. This is the fourth digit of your catalog number.

- 3 = 3'    4 = 4'    5 = 5'    6 = 6'

Select the **SASH OPENING HEIGHT**. This is the fifth digit of your catalog number.

- 1 = 10" (25.4 cm)    2 = 12\*\* (30.5 cm)
- 8 = 8" (20.3 cm)    9 = 9" (22.9 cm) - Cell Logic+ only

Select the **ACCESSORY PACKAGE** option. This is the sixth digit of your catalog number.

- 0 = None
- 1 = Includes factory-installed right-side service fixture (two on 6' models, one on each side), UV lamp (UV lamp not included with Scope-Ready), and right-side Vacu-Pass Cord/Cable Portal. Package standard on all Cell Logic+ models.

Select the **TELESCOPING BASE STAND** option. This is the seventh digit of your catalog number.

- 0 = None    1 = Included

Select the **ELECTRICAL CONFIGURATION** and **PLUG TYPE**. These are the eighth and ninth digits of your catalog number.

- 01 = 115V, 15/20A, 60 Hz, with plug for North America
- 11 = 230V, 50/60 Hz, with plug for North America
- 21 = 100V, 15/20A, 50/60 Hz, with plug for Japan
- 31 = 230V, 50/60 Hz, with Schuko plug
- 41 = 230V, 50/60 Hz, with plug for China/Australia
- 51 = 230V, 50/60 Hz, with plug for Great Britain (UK)
- 71 = 230V, 50/60 Hz, with plug for India

### Plug Configurations



115V, 15A  
for North America  
100V, 15A for Japan  
(3' and 4' widths)



115V, 20A  
for North America  
100V, 20A for Japan  
(5' and 6' widths)



230V  
for North America



230V  
Schuko



230V  
for China/Australia



230V  
for Great Britain (UK)



230V  
for India

### Technical Specifications

Nominal Width	Energy Requirements*** (Dedicated, non-GFI outlet required)		Watts			Shipping Weight	Shipping Weight with Stand
	100V or 115V	230V	8"	10"	12"		
3'	12A	6A	200	224	-	485 lbs. (220 kg)	697 lbs. (316 kg)
4'	12A	6A	210	294	-	607 lbs. (275 kg)	808 lbs. (367 kg)
4'	16A	8A	-	-	351	607 lbs. (275 kg)	808 lbs. (367 kg)
5'	16A	8A	313	355	391	715 lbs. (324 kg)	953 lbs. (432 kg)
6'	16A	8A	460	573	504	805 lbs. (365 kg)	1091 lbs. (495 kg)

\*Available in 4', 5' and 6' widths only; requires 20A outlet. Fourth digit of your catalog number will be 4, 5 or 6.

\*\*4' 12" sash models require 20A circuit and plug configuration

\*\*\*Acceptable voltage range +/-10% nominal value.

# Logic<sup>®</sup> Class II, Type A2 Biosafety Cabinets

## Specifications



### All models feature:

- Electronically Commutated Motor (ECM)
- \* Constant Airflow Profile™ (CAP) airflow monitoring system
- Intrinsically-safe negative pressure design
- \* Air-Wave™ Entry System at access opening to enhance containment
- \* Contain-Air™ Negative Pressure Channel at top of sash to enhance containment
- Fully scannable 99.99+% supply and exhaust HEPA filters, 99.999% efficient ULPA filters available
- \* MyLogic™ Operating System and interior-mounted, line-of-sight, full color, easy-to-understand LCD information center with:
  - Smart-Start™ System user-programmable start up and shut down operations
  - Night-Smart™ System for idling the blower when the sash is fully closed
  - “Filter Life Remaining” bar graph and numeric value displayed for easy HEPA filter monitoring
  - Status line for alarm conditions and alerts to warn when filter life diminishes to 20% and 10% before alarming at 0%
  - Interval/elapsed timer for experiment monitoring
  - UV light timer (on models with UV)
  - Digital clock
  - 8 Languages

\* Labconco exclusive feature

- Bright, glare-free LED lighting up to 156 foot-candle (1679 lux). Located outside the contaminated work area
- 10° angled, fully closing sash. 1/4" tempered safety glass with counterbalanced, anti-racking, easy-to-lift mechanism
- \* Curved waterfall design stainless steel inlet grille with Reserve-Air Secondary Airflow Slots
- \* Two electrical duplex outlets. Flush-mounted-stainless steel with dampened hinges. Single outlets on 230V models. One outlet on each side, with ground fault interruption (115V). Maximum total amperage draw of 5A (100-115V models) or 3A (230V models)
- Leak-tight stainless steel interior. Powder-coated steel exterior
- Removable towel catch located under work surface
- Electronic security lock (optional activation) that requires access code to operate the cabinet
- 8", 10", or 12" (20.3, 25.4, or 30.5 cm) working sash height
- \* 22.5" (57 cm) max. sash opening & 27.0" (69 cm) viewing height
- ADA-Compliant touchpad control on right side post
- Removable, seamless type 304 stainless steel, dished work surface with lift out knobs
- Nominal inflow velocity of 105 fpm (0.53 m/sec)
- Nominal downflow velocity of 55 fpm (0.28 m/sec)
- Approximately 70% air recirculation
- 10' (3 m) power cord with plug
- Five year warranty

### Models conform to the following standards:

- NSF/ANSI Standard 49 listed
- NSF/ANSI 49 compliant (Cell Logic+ models)
- ISO 5 (Grade A) per ISO 14644-1 & 2
- UL Standard 61010-1
- CAN/CSA 22.2 No. 61010-1
- CE Mark (230V models)
- ADA-compliant (controls and receptacles)

### Options include:

- Unassembled, NSF-approved, powder coated steel, non-welded telescoping base stand with leveling feet
- Accessory Package: UV lamp (254 nm), service fixture(s) with ball-type valve(s) and Vacu-Pass™ Cord & Cable Portal
- Ventus Canopy Connection: See page 30
- Cell Logic+ Packages: See page 28

### All models require (not included):

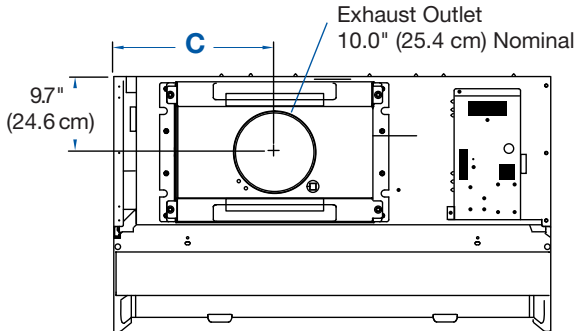
- Supporting base if non-welded stand option is not selected



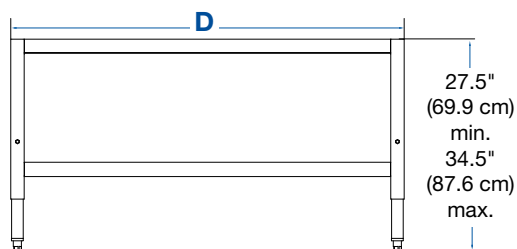
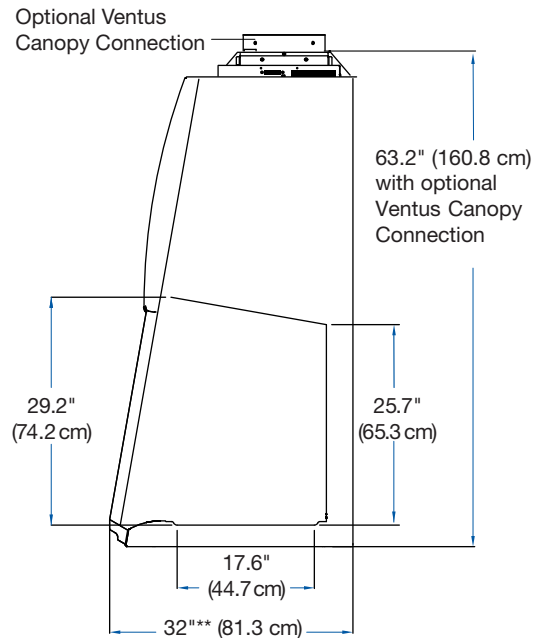
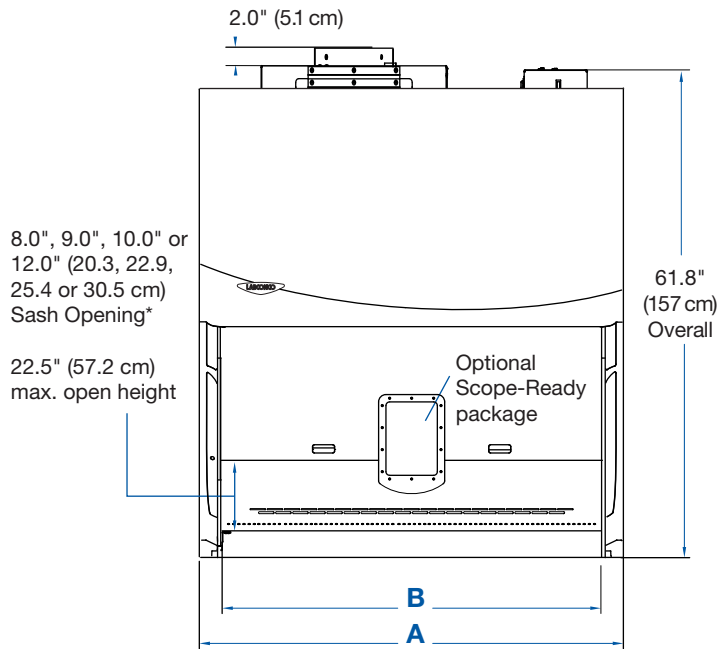


# Logic<sup>+</sup> Class II, Type A2 Biosafety Cabinets

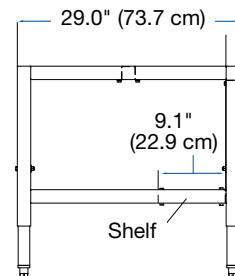
## Dimensional Data



Nominal Width	A	B	C	D
3'	42.3" (107.4 cm)	36.5" (92.7 cm)	13.6" (34.5 cm)	38.5" (97.8 cm)
4'	54.3" (137.9 cm)	48.5" (123.2 cm)	19.9" (50.5 cm)	50.5" (128.3 cm)
5'	66.3" (168.4 cm)	60.5" (153.7 cm)	26.9" (68.3 cm)	62.5" (158.8 cm)
6'	78.3" (198.9 cm)	72.5" (184.2 cm)	32.9" (83.6 cm)	74.5" (189.2 cm)



FRONT



SIDE

\*Sash opening working height varies. All Cell Logic<sup>+</sup> Class II, Type A2's have a 9.0" working height. Remaining models have either an 8.0", 10.0" or 12.0" working height.

\*\*\*4', 5' and 6' models with 12" sash opening are 32.7" deep.

# Logic<sup>+</sup> Class II, Type B2 Biosafety Cabinets

## Features & Benefits

### Class II Airflow

Provides Personnel, Product, and Environmental protection from hazardous pathogens and particles.

### Type B2

- 100% Ducted (no recirculation)
- Requires dedicated ductwork and remote blower

### NSF 49 Listed

Each Labconco Class II BSC exceeds globally recognized performance and construction requirements.

### Unitized Construction

A welded 304 Stainless Steel cabinet hull, dished work surface, and solid steel plenum are built to last.

### HEPA Filtration

Dual filters are 99.99+% efficient (at 0.3 microns), providing ISO 5 or better air.

### Sustainable Design

Each cabinet is constructed with more than 70% recycled materials. An ECM motor and LED lighting consume as little as 200 watts.

### Constant Airflow Profile™

Continuously monitors and maintains inflow and downflow to protect users and samples.

### ECM Blower

Uses minimal energy, is quieter, and provides constant airflow with CAP™.

### Inclination Technology

A sloped sash, curved airfoil free of armrests, large working area, and eye-level display maximize comfort.

### MyLogic™ OS

Conveniently displays cabinet information on line-of-sight screen.

### Easily Cleanable

304 Stainless Steel interior withstands routine disinfection. Coved corners and dished work surface are easily cleanable.



## MyLogic™ OS Information Center



### LCD Display

Clearly visualizes cabinet conditions in eight languages.

### Filter Life Indicator

Accurately displays remaining HEPA filter life. Alerts users at 20% and 10% before alarming at 0%.

### Blower Status

Displays when blower is turned On, starting up, or Off.

### Alerts & Alarms

Visual and audible signals notify users of unsafe cabinet conditions.

### Interface Convenience

MyLogic includes a built-in UV timer, Smart-Start™, 8 languages and a full certification menu.

### Data Connectivity

Exports system information via USB or dry contact relays for remote monitoring.

# Logic+® Class II, Type B2 Biosafety Cabinets

## Ordering Information

### Catalog Number Configurator:

Use this key to configure the nine digit catalog number to order your Logic+ or Cell Logic+ Class II, Type B2 Biosafety Cabinet.

3  3  8

Select the **LOGIC+ PACKAGE(S)**. This is the second digit of your catalog number.

- 0 = None (Standard Logic+ only)
- 2 = Temp-Zone package. Sixth digit is 1
- 3 = Scope-Ready package. Sixth digit is 1
- 4 = Temp-Zone and Scope-Ready packages. Sixth digit is 1

Select the **WIDTH** of your cabinet. This is the fourth digit of your catalog number.

- 4 = 4'    6 = 6'

Select the **ACCESSORY PACKAGE** option: This is the sixth digit of your catalog number.

- 0 = None (Logic+ only)
- 1 = Includes a right-side service fixture (two on 6' models, one per side), UV lamp with timer, (UV lamp not included with Scope-Ready), and right-side Vacu-Pass portal. Package standard on all Cell Logic+ models

Select the **TELESCOPING BASE STAND** option. This is the seventh digit of your catalog number.

- 0 = None
- 1 = Telescoping base stand included with the cabinet

Select the **ELECTRICAL CONFIGURATION** and **PLUG TYPE**. These are the eighth and ninth digits of your catalog number.

- 01 = 115V, 15A, 60 Hz, with plug for North America
- 11 = 230V, 50/60 Hz, with plug for North America
- 21 = 100V, 15A, 50/60 Hz, with plug for Japan
- 31 = 230V, 50/60 Hz, with Schuko plug
- 41 = 230V, 50/60 Hz, with plug for China/Australia
- 51 = 230V, 50/60 Hz, with plug for Great Britain (UK)
- 71 = 230V, 50/60 Hz, with plug for India

### Plug Configurations



115V, 15A  
for North America  
100V, 15A for Japan



230V  
for North America



230V  
Schuko



230V  
for China/Australia



230V  
for Great Britain (UK)



230V  
for India

### Exhaust Requirements & Shipping Weights

Nominal Width	Exhaust Volume*	Energy Requirements** (Dedicated, non-GFI outlet required)		Watts	Shipping Weight	Shipping Weight with Stand
		100V or 115V	230V			
4'	852 CFM @ 1.8" w.g.	12A	6A	208	646 lbs. (293 kg)	811 lbs. (368 kg)
6'	1265 CFM @ 2.2" w.g.	12A	6A	284	836 lbs. (379 kg)	1091 lbs. (495 kg)

\*Concurrent Balance Values (CBV) obtained via pitot tube traverse of exhaust duct. Include additional 2" w.g. capacity to account for filter loading when sizing exhaust.

\*\*Acceptable voltage range +/-10% nominal value.

# Logic<sup>®</sup> Class II, Type B2 Biosafety Cabinets

## Specifications



### All models feature:

- 100% exhausted design for work involving high volumes of volatile chemicals
- \* Electronically Commutated Motor (ECM)
- Intrinsically-safe negative pressure design
- \* Constant Airflow Profile™ (CAP) airflow monitoring system
- \* Air-Wave Entry System\* at access opening to enhance containment
- \* Contain-Air Negative Pressure Channel\* at top of sash to enhance containment
- Supply and exhaust 99.99+% efficient HEPA filters. 99.999% efficient ULPA filters available
- MyLogic™ Operating System and interior-mounted, line-of-sight, full color, easy-to-understand LCD information center with:
  - Smart-Start™ System user-programmable start up and shut down operations
  - “Filter Life Remaining” bar graph and numeric value displayed for easy HEPA filter monitoring
  - Status line for alarm conditions and alerts to warn when filter life diminishes to 20% and 10% before alarming at 0%
  - Interval/elapsed timer for experiment monitoring
  - UV light timer (on models with UV)
  - Digital clock
  - 8 Languages
- Bright, glare-free LED lighting up to 156 footcandle (1679 lux). Located outside the contaminated work area
- 10° angled, fully closing sash. 1/4" tempered safety glass sash with counterbalanced, anti-racking, easy-to-lift mechanism

\* Labconco exclusive feature

- \* Curved stainless steel inlet grille with Reserve-Air Secondary Airflow Slots\*
- Removable, seamless type 304 stainless steel, dished work surface with lift out knobs
- \* Two electrical duplex outlets with flush-mounted stainless steel soft-close covers. Single outlets on 230V models one on each side. GFCI outlets on 115V models only. Maximum total amperage draw of 5A (100-115V models) or 3A (230V models)
- Leak-tight stainless steel interior. Powder-coated steel exterior
- Removable towel catch located under work surface
- Electronic security lock (optional activation) that requires access code to operate the cabinet
- 8" (20.3 cm) working sash height
- \* 22.5" (57 cm) max. sash opening & 27.0" (69 cm) viewing height
- \* ADA-Compliant
- Airtight damper with 10" (25.4 cm) nominal round connection.
- Noise level <66 dBA
- Nominal inflow velocity of 105 fpm (0.53 m/sec)
- Nominal downflow velocity of 55 fpm (0.28 m/sec)
- 10' (3 m) power cord with plug
- Five year warranty

### Models conform to the following standards:

- CAN/CSA 22.2 No. 61010-1
- UL Standard 61010-1
- NSF/ANSI Standard 49 listed
- NSF/ANSI 49 compliant (Cell Logic+ models)
- CE Mark (230V models)
- ISO 5 (Grade A) per ISO 14644-1 & 2
- ADA-compliant (controls and receptacles)

### Options include:

- Unassembled, NSF-approved, powder coated steel, non-welded telescoping base stand with leveling feet
- Accessory Package: UV lamp (254 nm), service fixture(s) with ball-type valve(s) and Vacu-Pass™ Cord & Cable Portal
- Cell Logic+ Packages: See page 28

### All models require (not included):

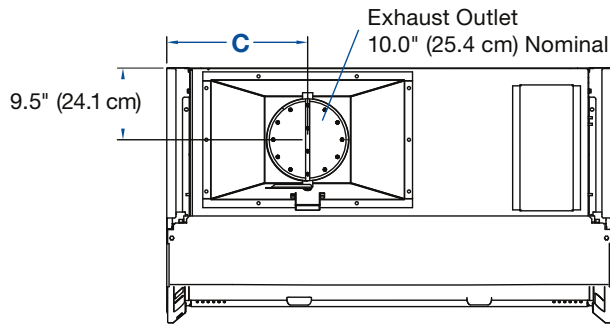
- Dedicated ductwork and remote blower per each Type B2 BSC
- Supporting base if non-welded stand option is not selected





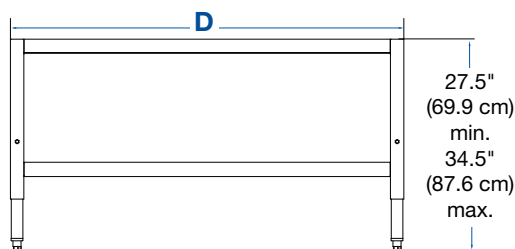
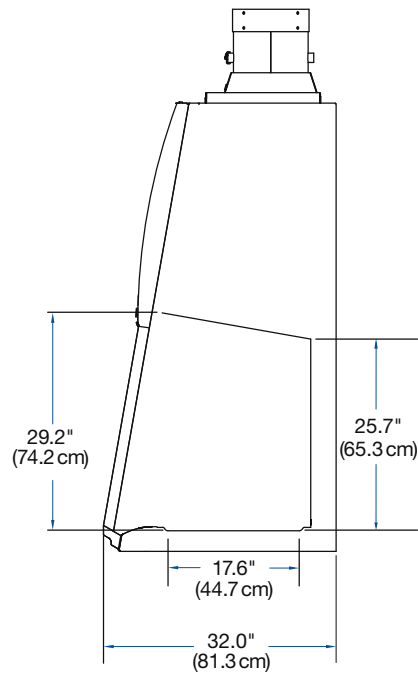
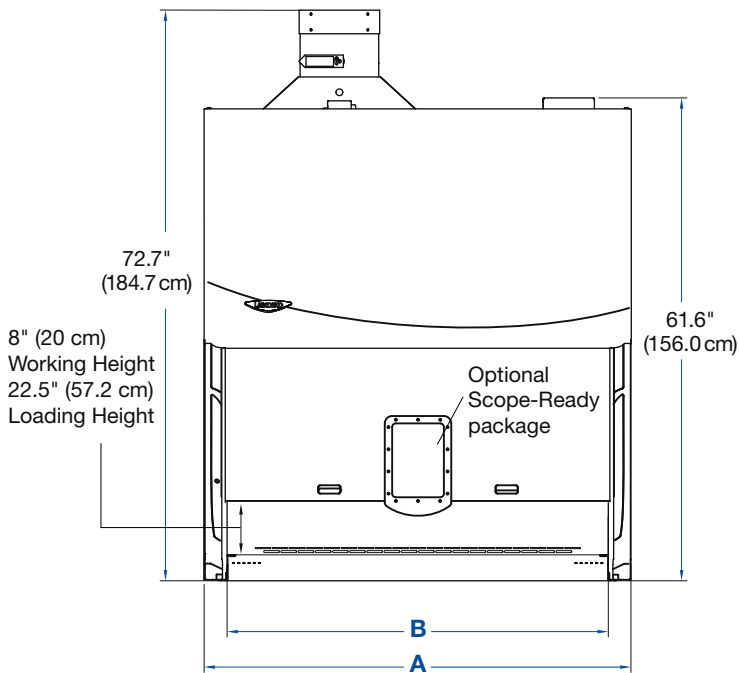
# Logic<sup>®</sup> Class II, Type B2 Biosafety Cabinets

## Dimensional Data

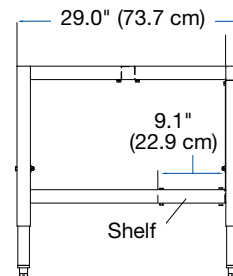


**TOP**

Nominal Width	A	B	C	D
<b>4'</b>	54.3" (137.9 cm)	48.5" (123.2 cm)	17.2" (43.7 cm)	50.5" (128.3 cm)
<b>6'</b>	78.3" (198.9 cm)	72.5" (184.2 cm)	28.9" (73.4 cm)	62.5" (158.8 cm)



**FRONT**



**SIDE**

# Axiom Class II, Type C1 Biosafety Cabinets

## Features & Benefits

### Class II Airflow

Provides Personnel, Product, and Environmental protection from hazardous pathogens and particles.

### Class II, Type C1

- Greatest flexibility and safety in a Class II BSC
- Recirculating or 100% Ducted Chem-Zone
- Requires dedicated ductwork when ducted.

### NSF 49 Listed

Each Labconco Class II BSC exceeds globally recognized performance and construction requirements.

### Unitized Construction

A welded 304 Stainless Steel cabinet hull, dished work surface, and solid steel plenum are built to last.

### HEPA Filtration

Dual filters are 99.99+% efficient (at 0.3 microns), providing ISO 5 or better air.

### Sustainable Design

Each cabinet is constructed with more than 70% recycled materials. An ECM motor and LED lighting consume as little as 200 watts.

### Constant Airflow Profile™

Continuously monitors and maintains inflow and downflow to protect users and samples.

### Omni-Flex Design

Adapts as needs change. Operates in recirculating A Mode or ducted B Mode.

### ECM Blower

Uses minimal energy, is quieter, and provides constant airflow with CAP™

### Inclination Technology

A sloped sash, curved airfoil free of armrests, large working area, and eye-level display maximize comfort.

### MyLogic OS

Conveniently displays cabinet information on line-of-sight screen.

### Easily Cleanable

304 Stainless Steel interior withstands routine disinfection. Coved corners and dished work surface are easily cleanable.



## MyLogic™ OS Information Center



### LCD Display

Clearly visualizes cabinet conditions in eight languages.

### Filter Life Indicator

Accurately displays remaining HEPA filter life. Alerts users at 20% and 10% before alarming at 0%.

### Blower Status

Displays when blower is turned On, in Night-Smart mode, or Off.

### Alerts & Alarms

Visual and audible signals notify users of unsafe cabinet conditions.

### Interface Convenience

MyLogic includes a built-in UV timer, Smart-Start™, 8 languages and a full certification menu.

### Data Connectivity

Exports system information via USB or dry contact relays for remote monitoring.

# Axiom® Class II, Type C1 Biosafety Cabinets

## Ordering Information

### Catalog Number Configurator:

Use this key to configure the nine digit catalog number to order your Axiom Class II, Type C1 Biosafety Cabinet.

3 0 4

Select the **WIDTH** of your cabinet. This is the fourth digit of your catalog number.

4 = 4' 6 = 6'

Select the **SASH OPENING HEIGHT**. This is the fifth digit of your catalog number.

1 = 10" (25.4 cm)  
8 = 8" (20.3 cm)

Select the package option. **ACCESSORY PACKAGE:** This is the sixth digit of your catalog number.

0 = None  
1 = Includes factory installed right-side service fixture (two on 6' models, one per side), UV lamp, (UV lamp not included with Scope-Ready), and right-side wall Vacu-Pass cord/cable portal.

Select the **TELESCOPING BASE STAND** and **BAG-IN/BAG-OUT** option. This is the seventh digit of your catalog number.

0 = None  
1 = Telescoping base stand included with the cabinet  
2 = Factory-installed bag-in/bag-out exhaust filter included with the cabinet  
3 = Telescoping base stand and factory-installed bag-in/bag-out exhaust filter included with the cabinet

Select the **ELECTRICAL CONFIGURATION** and **PLUG TYPE**. These are the eighth and ninth digits of your catalog number.

01 = 115V, 20A, 60 Hz, with plug for North America  
11 = 230V, 50/60 Hz, with plug for North America  
21 = 100V, 20A, 50/60 Hz, with plug for Japan  
31 = 230V, 50/60 Hz, with Schuko plug  
41 = 230V, 50/60 Hz, with plug for China/Australia  
51 = 230V, 50/60 Hz, with plug for Great Britain (UK)  
71 = 230V, 50/60 Hz, with plug for India

### Plug Configurations



115V, 20A  
for North America  
100V, 20A for Japan



230V  
for North America



230V  
Schuko



230V  
for China/Australia



230V  
for Great Britain (UK)



230V  
for India

### Technical Specifications

Nominal Width	Exhaust Volume*	Energy Requirements** (Dedicated, non-GFI outlet required)		Watts	Shipping Weight	Shipping Weight with Stand
		100V or 115V	230V			
4' - 8" Sash	387 CFM @ 0.3" w.g.	16A	8A	343	750 lbs. (340 kg)	895 lb. (406 kg)
4' - 10" Sash	480 CFM @ 0.3" w.g.			373		
6' - 8" Sash	556 CFM @ 0.3" w.g.	16A	8A	455	1023 lbs. (464 kg)	1184 lb. (537 kg)
6' - 10" Sash	684 CFM @ 0.3" w.g.			485		

\*Concurrent Balance Values (CBV) obtained via pitot tube traverse of exhaust duct.

\*\*Acceptable voltage range +/- 10% nominal value.

# Axiom® Class II, Type C1 Biosafety Cabinets

## Specifications



### All models feature:

- ❖ Omni-Flex™ two mode design (Type A and B mode) and two programmable working sash heights (8" and 10")
- Intrinsically safe negative pressure design
- ❖ Fully scannable 99.99+% supply and exhaust HEPA filters (99.999% ULPA filters available)
- ❖ Dual Electronically Commutated Motors (ECM)
- ❖ Constant Airflow Profile™ (CAP) Technology airflow monitoring system
- ❖ Active Protection Protocol that operates the cabinet's exhaust blowers for up to five minutes, in the event of exhaust system failure, preventing the flow of air into the laboratory\*
- Low static pressure and volumetric rate exhaust requirements when in Type B mode. No dedicated exhaust system per BSC required
- ❖ Air-Wave™ Entry System at access opening to enhance containment
- ❖ Contain-Air™ Negative Pressure Channel at top of sash to enhance containment
- MyLogic™ Operating System and interior-mounted, line-of-sight, full color, easy-to-understand LCD information center with:
  - Smart-Start™ System user-programmable start up and shut down operations
  - Night-Smart™ System for idling the blower when the sash is fully closed (while in Type A mode only)
  - “Filter Life Remaining” bar graph and numeric value displayed for easy HEPA filter monitoring
  - Status line for alarm conditions and alerts to warn when filter life diminishes to 20% and 10% before alarming at 0%
  - Interval/elapsed timer for experiment monitoring
  - UV light timer (on models with UV)
  - Digital clock
  - 8 Languages

❖ Labconco exclusive feature

- Bright glare-free LED lighting up to 156 footcandle (1679 lux). Located outside the contaminated work area
- Electronic security lock (optional activation) that requires access code to operate the cabinet
- ❖ Two electrical duplex outlets with flush-mounted stainless steel soft-close covers. Single outlets on 230V models one on each side (GFCI on 115V models only). Maximum total amperage draw of 5A (100-115V models) or 3A (230V models)
- 10° angled, fully closing sash. 1/4" tempered safety glass with counterbalanced, anti-racking, easy-to-lift mechanism
- ❖ Curved waterfall design stainless steel inlet grille with Reserve-Air™ Secondary Airflow Slots
- Leak-tight stainless steel interior. Powder-coated steel exterior
- 22.5" (57 cm) maximum sash opening height and 27.0" (69 cm) viewing height
- ❖ Chem-Zone™ work surface with dedicated direct exhaust for use with hazardous vapors or radionuclides\*
- ❖ Removable, type 304 stainless steel 3-piece work surface (dished Chem-Zone in center and two flat sides) with lift out knobs and clearly delineated working area (when handling chemicals)\*
- ❖ Touchpad on right-hand side post controls blower, light(s), timer, electrical receptacles, audible alarm mute and menu selection
- Five year limited warranty
- Nominal inflow velocity of 105 feet per minute (fpm) (0.53 m/sec)
- Nominal downflow velocity of 65 fpm (0.33 m/sec) for 4' models and 55 fpm (0.28 m/sec) for 6' models

### Models conform and/or are listed to the following standards:

- UL Standard 61010-1
- CAN/CSA 22.2 No. 61010-1
- NSF/ANSI Standard 49 listed
- CE Mark (230V models)
- ISO 5 (Grade A) per ISO 14644-1 & 2
- ADA-compliant (controls and receptacles)

### Required accessory:

- Supporting base if unassembled stand option is not selected

### Options include:

- Unassembled, NSF-Approved, powder-coated steel non-welded telescoping base stand with feet
- Accessory Package: UV lamp (254 nm), service fixture(s) with ball-type valve(s) and Vacu-Pass™ Cord & Cable Portal
- 10" diameter stainless steel manual damper for Type B mode
- Bag-In/Bag-Out Package: Exhaust Filter for use with radionuclides or harmful chemicals

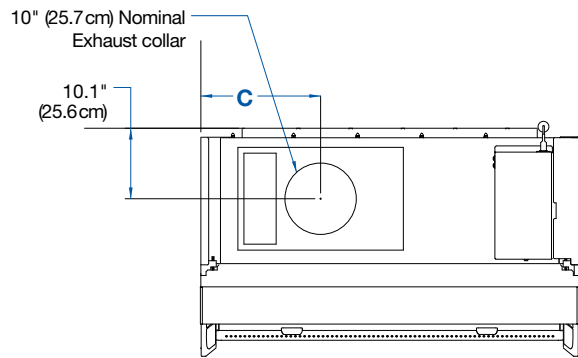
\*U.S. Patent No. 10,507,500B1



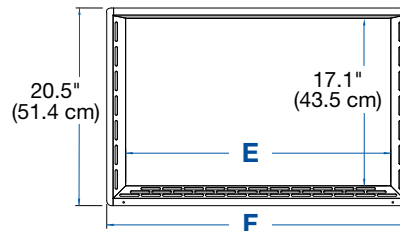


# Axiom® Class II, Type C1 Biosafety Cabinets

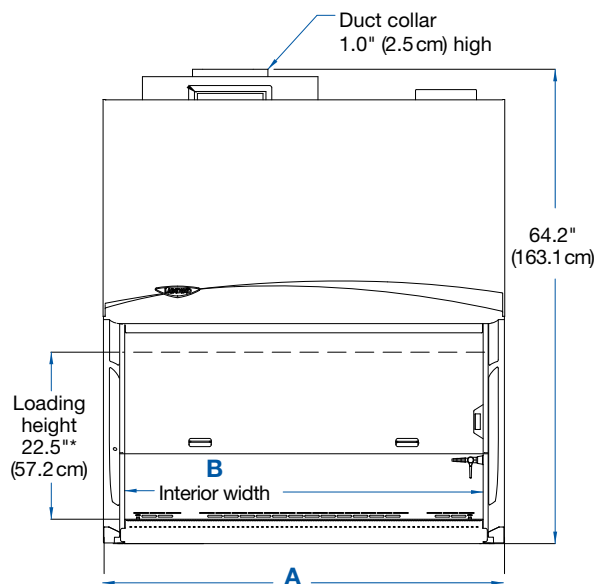
## Dimensional Data



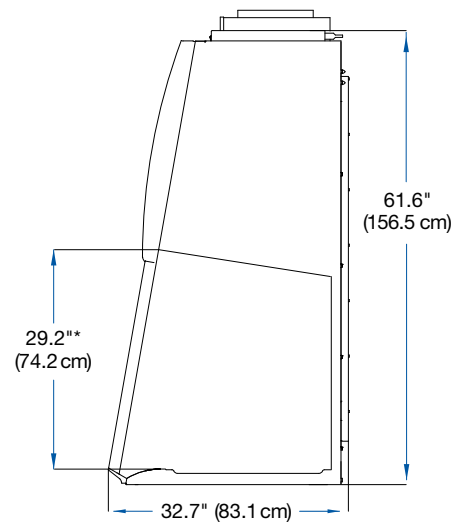
**TOP**



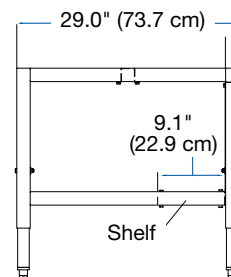
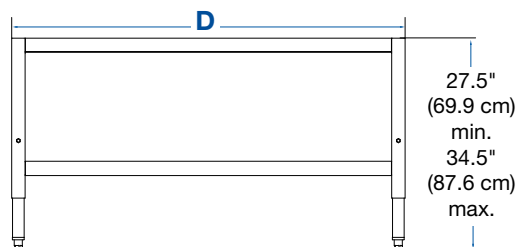
**Chem-Zone Work Surface**



**FRONT**



**SIDE**



Nominal Width	A Inches	B Inches	C Inches	D Inches	E Inches	F Inches
4'	54.3 (137.9 cm)	48.5 (123.2 cm)	17.1 (43.4 cm)	50.5 (128.3 cm)	27.1 (68.9 cm)	31.0 (78.8 cm)
6'	78.3 (198.9 cm)	72.5 (184.2 cm)	28.2 (71.6 cm)	74.5 (189.2 cm)	42.1 (107.0 cm)	46.0 (116.9 cm)

\*Loading height with Bag-In/Bag-out Package is 13.6" (34.5 cm).

# Class II Biosafety Cabinets

## Accessories

### 3744000—Ergonomic Chair with Armrests.

6-way articulating seat for personalized comfort. Seat height adjusts from 18.25" to 25.75" (46 x 65 cm). Five-leg reinforced composite base with ball-bearing casters and aluminum support ring. Removable armrests. Black vinyl upholstery. **⚠WARNING:** Cancer - P65Warnings.ca.gov (California only). Shipping weight 43 lbs. (20 kg)



### 3746000—Adjustable Footrest.

Ergonomic design reduces strain and fatigue while working. 18.5" w x 11.5" d x 8.0" h (47 x 29 x 20 cm). Shipping weight 6.0 lbs. (2.7 kg)



**8022000—Logic Cart.** HDP and ABS construction. Overall dimensions: 25.0" w x 19.0" d x 27.0" h (64 x 48 x 69 cm). Shipping weight 71 lbs. (32 kg)



### Ultraviolet Lamp Kits.

Include 254 nm UV lamp and ballast. Not recommended for Cell Logic+ models with Scope-Ready package. **Installation required.**

Catalog Number	Description	Shipping Weight
3858500	115V	5.0 lbs. (2.3 kg)
3858501	100V	5.0 lbs. (2.3 kg)
3858502	230V	5.0 lbs. (2.3 kg)



**3747500—Service Fixture Kit.** Includes serrated hose tip with ball valve, quarter turn control handle and hardware. Mounts on left or right side interior. Cabinets are factory-prepared for up to four fixtures. **Installation required.** Shipping weight 2.0 lbs. (0.9 kg)

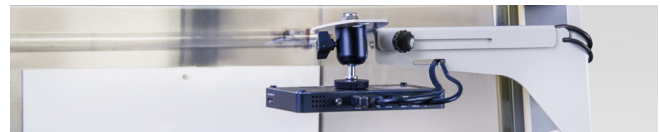


**3402800—Vacu-Pass Cord & Cable Portal Kit.** NSF-approved portal allows passage of a cable through right-side wall. Accommodates cords/cables with dia. of 1/8", 1/4", 3/8" and 1/2", and blank plug. **Installation required.** Shipping weight 1.0 lbs. (0.5 kg)



**IV Bar Kits.** Include IV bar, mounting hardware and four hangers. **Installation is required.**

Catalog Number	Cabinet Width	Shipping Weight
3858600	3'	3.0 lbs. (1.4 kg)
3858601	4'	4.0 lbs. (1.8 kg)
3858602	5'	5.0 lbs. (2.3 kg)
3858603	6'	6.0 lbs. (2.7 kg)



**3145000—Electronics Mount.** Provides a solid attachment point for a camera onto a Labconco Class II BSC. The articulating design includes 4-way movement and a 1/4" tripod mount to accommodate a variety of devices. Includes optional display screen for use with a projector. Attaches to BSC frame. **Installation required.** Shipping weight 6 lbs. (2.7 kg)



**3405500—Inflow and Downflow Sensor Kit.** Allows display of inflow and downflow velocities on LCD screen. Includes sensor, wiring harness and hardware. **Not for use on Type B2 cabinets. Installation and certifier calibration required.** Shipping weight 2.0 lbs. (0.9 kg)

# Class II Biosafety Cabinets

## Accessories



**Easy-Clean Prop Rods.** Holds the worksurface in a raised position for easy cleaning of the sump area on Logic+® BSCs. Short version for use with service-fixtures BSCs. Long version for use with non-fixtured BSCs.

Catalog Number	Includes	Dimensions (l x w x h)	Shipping Weight
3430500	Easy-Clean Prop Rod, Short	7" x 3.25" x 2.75"	5 lbs. (2.3 kg)
3430501	Easy-Clean Prop Rod, Long	8.5" x 3.25" x 2.75"	5 lbs. (2.3 kg)



**Flat Chem-Zone Work Surface.** Replaces standard dished Chem-Zone for unique applications. NSF-approved. **Axiom Biosafety Cabinets only.**

Catalog Number	Cabinet Width	Shipping Weight
3458401	4'	20 lbs. (9.1 kg)
3458403	6'	25 lbs. (11.3 kg)

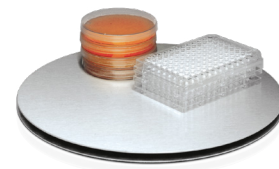
**Disposable Prefilter Starter Kits & Replacement Prefilters.** Merv 8 rating. Prefilter, hardware and bracket for installing on the towel catch. **A2 and B2 biosafety cabinets only. Installation is required.**

Kit Catalog Number	Replacement Prefilter Catalog Number	Cabinet Width
3406000	3406200	3'
3406001	3406201	4'
3406002	3406202	5'
3406003	3406203	6'

**Washable Prefilter Kits.** Each kit consists of a washable/reusable, metal screen-type prefilter and installation hardware. **A2 and B2 biosafety cabinets only. Installation is required. Installation is required.**

Catalog Number	Cabinet Width	Shipping Weight
3406100	3'	4.0 lbs. (1.8 kg)
3406101	4'	5.0 lbs. (2.3 kg)
3406102	5'	6.0 lbs. (2.7 kg)
3406103	6'	7.0 lbs. (3.2 kg)

**3852000—Turntable.** “Lazy Susan” rotates 360° to bring items within easy reach. Stainless steel surface and ball bearings. 12" (30 cm) dia. Autoclavable. Shipping weight 6.0 lbs. (2.7 kg)



**3859100—Cord Manager.** Includes three stainless steel hooks and carabiners. Mounts to rear grille. Shipping weight 2.0 lbs. (0.9 kg)



**3859000—Interior Shelf.** Stainless steel shelf, 8.0" x 5.0" (20 x 13 cm), mounts to rear grille. Capacity: 2.2 lbs. (1 kg). Shipping weight 2.0 lbs. (0.9 kg)

**3408500—Sash-Glider Kit.** Cleans both sides of sash while cabinet is closed to avoid contamination risks. Includes two microfiber sheets and ten disposable scrubbing strips. Shipping weight 5.0 lbs. (2.0 kg). Replacement strips, (3408600) package of 25. Shipping weight 2.0 lbs. (0.9 kg)



**Trace Odor Filter Starter Kit and Replacement Filters.** For filtration of nuisance and non-hazardous odors. Not for use with hazardous/corrosive chemicals. **A2 biosafety cabinets only. Installation is required.**

Kit Catalog Number	Replacement Prefilter Catalog Number	Cabinet Width	Shipping Weight
3456100	3435600	3'	14 lbs. (6.4 kg)
3456101	3435601	4'	17 lbs. (7.7 kg)
3456102	3435602	5'	19 lbs. (8.6 kg)
3456103	3435603	6'	23 lbs. (10.4 kg)

# Cell Logic<sup>®</sup>+ Class II Biosafety Cabinets

## Cell Logic+ Accessories

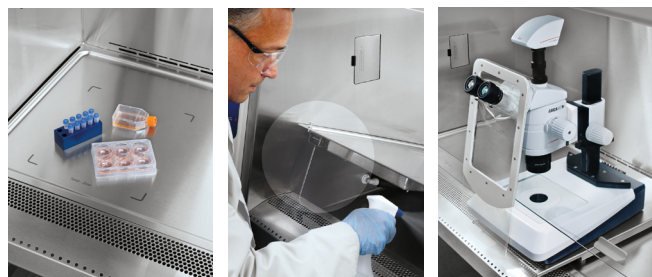
**Special features for specialized work.** Cell Logic+ models are designed with sensitive microscopy in mind. Options for integrated viewing, vibration and temperature control that keeps you happy, and your cells happy.



**Scope-Ready™ Package Option** enhances comfort and performance when using a microscope in the cabinet. Pure-Vu™ Seal. Made of clear, flexible material. Prevents contaminants from escaping while providing visibility into the cabinet. NSF/ANSI 49 and Modified ASHRAE 110 tested. All Cell Logic<sup>®</sup>+ Pure-Vu models include one Pure-Vu Seal and Pure-Vu XL Seal.

**Stand-Still™ Isolation Platform.** Supports the microscope on the cabinet's work surface to reduce vibration threefold. Seamless Type 304 stainless steel. Easy to clean and autoclavable. Two sizes available. Sold separately. NSF 49 tested.

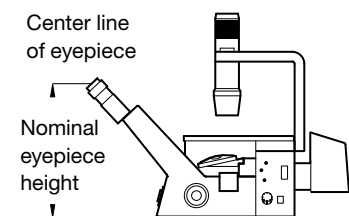
**Temp-Zone™ Package.** Creates a temperature-controlled area on your work surface for sensitive cells. Works with a user-supplied circulator to maintain uniform surface temperature. Easy-Clean™ Prop Rods elevate work surface for hands-free cleaning. 10.5" w x 12.0" d (7.0" x 12.0" on 3' models).



Temperature-controlled area    Easy-Clean Prop Rods    Pure-Vu Seal



**Stand-Still Isolation Platforms. Required for supporting microscopes on Cell Logic+ models with Scope-Ready package.** Promotes proper airflow through the cabinet. Reduces vertical and horizontal vibrations threefold. Type 304 stainless steel base with isolation pads. 1.5" high (0.4 cm). Weight Limit - 60 lbs. (27 kg)



### Pure-Vu Microscope Compatibility Guide.

Measure the nominal centerline of the eyepieces (at working height) to the base of your microscope. Be sure to include lighted bases or other accessories that will impact the height of the microscope. Cell Logic<sup>®</sup>+ models accommodate microscopes with eyepieces between 8 - 17" (20.3 - 43.2 cm). Contact Labconco for microscopes larger than 17".

Catalog Number	Description	Shipping Weight
4028200	Stand-Still Platform, 12.0" x 18.75" (30.5 x 47.6 cm)	8.0 lbs. (3.6 kg)
4028100**	Stand-Still XL Platform, 14.0" x 22.75" (35.6 x 57.8 cm)	12.0 lbs. (5.4 kg)
Catalog Number	Description	Shipping Weight
4027800	Replacement Pure-Vu Seal Universal	0.5 lb. (0.2 kg)
4027810	Replacement Pure-Vu Seal XL	0.5 lb. (0.2 kg)
4027801	Pure-Vu Punch Kit	1.0 lb. (0.5 kg)

\*When selecting a seal for a Cell Logic<sup>®</sup>+ Class II, Type B2 Biosafety Cabinet, add one inch to your eyepiece height.

\*\*Requires use of Pure-Vu XL Seal 4027810 or 4027811.



# Cell Logic<sup>®</sup> Class II Biosafety Cabinets

## Accessories



**VACUUBRAND\* BVC Control Fluid Aspiration Systems.** Include chemical-resistant PTFE diaphragm pump, capable of drawing 12 L/min at a vacuum of 150 mBar/112 Torr. Mechanical vacuum controller opens when needed to limit gas consumption from the vacuum source. Touch panel vacuum adjustment from 150-850 mBar, autoclavable collection bottle, flow-through aspirator tube and PTFE 0.2 micron filter. Shipping weight 26 lbs. (12 kg)

### VACUUBRAND\* BVC Basic Fluid Aspiration Systems.

For connection to an external vacuum source such as a diaphragm pump. Mechanical vacuum controller opens when needed to limit gas consumption from the vacuum source. Include coated steel base, autoclavable collection bottle, flow-through aspirator tube and PTFE 0.2 micron filter. Shipping weight 6.2 lbs. (2.8 kg)



Catalog Number	Includes	Dimensions (l x w x h)
3850310	4L Polypropylene Collection Bottle	9.9" x 7.9" x 19.3"
3850320	2L Borosilicate Glass Collection Bottle	9.1" x 7.1" x 17.0"

### Systems with 4L Polypropylene Collection Bottle

Catalog Number	Electrical Requirements	Plug Type
<b>Dimensions (l x w x h): 16" x 7.6" x 20" (41 x 19 x 50 cm)</b>		
3850330	115V, 50/60 Hz	115V, 15A

### Systems with 2L Borosilicate Glass Collection Bottle

Catalog Number	Electrical Requirements	Plug Type
<b>Dimensions (l x w x h): 16" x 7.6" x 17" (41 x 19 x 43 cm)</b>		
3850340	115V, 50/60 Hz	115V, 15A

Contact Labconco or visit [labconco.com](http://labconco.com) for 230V Aspiration Systems

**Universal Tube Baths and Aluminum Tube Racks.** Anodized aluminum blocks hold tubes of various sizes. Promotes the conduction of heat or cold from Temp-Zone area to help maintain sample temperature. Universal tube baths hold tubes in an aluminum bead bath and aluminum tube racks hold tubes upright. Thermally-conductive beads are sold separately.



Universal Tube Bath



Aluminum Tube Racks

Catalog Number	Description	Tube Capacity	Dimensions (w x d x h)	Shipping Weight
4026400	0.5 ml microcentrifuge, 7.5 mm	18	1.5" x 6.0" x 1.3" (38 x 152 x 32 mm)	2.0 lbs. (0.9 kg)
4026402	1.5 ml microcentrifuge, 10.5 mm	18	2.0" x 6.0" x 1.5" (51 x 152 x 38 mm)	2.0 lbs. (0.9 kg)
4026404	1.5 ml flat bottom, 10 mm	12	1.5" x 4.0" x 1.3" (38 x 102 x 32 mm)	2.0 lbs. (0.9 kg)
4026405	5 ml flat bottom, 12 mm	12	2.0" x 5.0" x 2.5" (51 x 127 x 64 mm)	3.0 lbs. (1.4 kg)
4026408	15 ml conical, 16-17 mm	12	2.0" x 6.0" x 4.0" (51 x 152 x 102 mm)	5.0 lbs. (2.7 kg)
4026410	50 ml conical, 28 mm	4	1.5" x 6.0" x 4.0" (38 x 152 x 102 mm)	5.0 lbs. (2.7 kg)
4026411	Microtiter well plate	1	6.0" x 8.0" x 1.5" (152 x 203 x 38 mm)	5.0 lbs. (2.7 kg)
	3.4" x 5.0" (86 x 127 mm)			
	1.5 ml microcentrifuge	12		
4026600	0.5 ml microcentrifuge	12	2.0" x 4.0" x 3.0" (50.8 x 101.6 x 76.2 mm)	2.0 lbs. (0.9 kg)
	Small Bath			
4026602	0.25L capacity			
4026602	Lab Armor Beads* 0.75L			5.0 lbs. (2.7 kg)

\*Lab Armor<sup>®</sup> is a registered trademark of Lab Armor, LLC.

# Logic<sup>+</sup> Class II Biosafety Cabinets

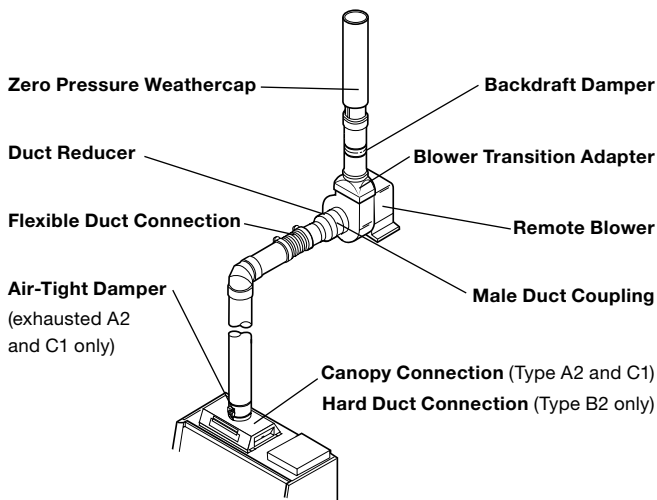
## Exhaust Components



**Ventus Canopy Connection.** For thimble exhausting Type A2 cabinets. NSF approved design detects insufficient exhaust in less than one second and signals MyLogic OS with visual and audible alarms. Alarm increases motor to maximum speed for personnel safety. Adds only 1.4" (3.6 cm) to cabinet height. Powder-coated steel. Collar is 10" (25.4 cm) ID. Exhaust connection is required. **Air-tight Damper (3776800) recommended.** Contact Labconco for information on factory installation. Shipping weight 75 lbs. (34 kg)

Catalog Number	For Use With	Required Exhaust Volume (CFM)* @ 0.15" w.g.		
		8" Sash Opening	10" Sash Opening	12" Sash Opening
3889200	3' Type A2	289	348	-
3889201	4' Type A2	366	444	521
3889202	5' Type A2	443	540	638
3889203	6' Type A2	520	637	755

### Typical Cabinet Exhaust System



\*Requires vacuum of 0.15" w.g. at duct connection. Exhaust volumes obtained via Pitot tube traverse and include 50 CFM room air. Actual volume may be lower using Direct Inflow Measurement methodology.

\*\*Always verify exhaust system requirements before purchasing. Contact Labconco for assistance.

### Flex Duct Connection.



Catalog Number	Length	Shipping Weight
7034800	1'	5 lbs (2.3 kg)
7034801	3'	10 lbs (4.5 kg)
7034802	6'	15 lbs (6.8 kg)
7034803	10'	25 lbs (11.3 kg)

**3776800—Air-Tight Damper.** Mounts atop Ventus Canopy to adjust exhaust airflow and closes for decontamination procedures. Manually adjustable. Type 304 stainless steel. 10" (25.4 cm) high with 10" (25.4 cm) dia. OD inlet & outlet. Shipping weight 14 lbs. (6.3 kg)



**3858800—Backdraft Damper.** Mounts in vertical duct run to prevent reversal of flow of the exhaust system. 3.0" (8 cm) high with 10" (25.4 cm) dia. OD inlet and outlet. Shipping weight 2.0 lbs. (0.9 kg)



### 3858320—Dry Contact Relay Kit.

Connects BSC to remote blower or building monitoring system. Includes outputs for Blower, Night-Smart, and Alarm status. Shipping weight 1.0 lb (0.5 kg)



### Remote Blowers. Required for Type B2 and recommended for canopy-ducted Type A2 and C1 BSCs.

Phenolic-coated impeller and housing, powder-coated steel base and weather cover, belt-drive motor with adjustable sheave and self-adjusting gravity belt tightener. Contact Labconco for dimensions, questions about blower sizing and other blowers available.



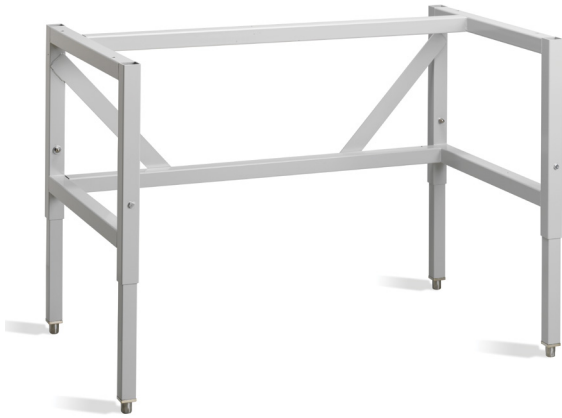
Catalog Number	For Use With**	Electrical Requirements	HP	Shipping Weight
7068000**	3' & 4' Type A2, C1, Class I	115V, 60 Hz, 1 phase, 4.0A	1/6	92 lbs. (42 kg)
7068200**	5' & 6' Type A2, C1, Class I	115V, 60 Hz, 1 phase, 4.4A	1/4	92 lbs. (42 kg)
7071900**	4' & 6' Type B2	230/460V, 50/60 Hz, 3 phase, 5.8/2.9A	2	130 lbs. (59 kg)

### Blower Dimensions

	7068000 & 7068200	7071900
Inlet	10.87" (27.6 cm) ID	12.25" (31.1 cm) OD
Outlet	10.0" w x 5.5" d (25.4 x 14 cm)	13.5" w x 7.0" d (34.3 x 17.8 cm)
Blower Transition Adapter Required	4722401	7003400

# Class II Biosafety Cabinets

## Telescoping Base Stand

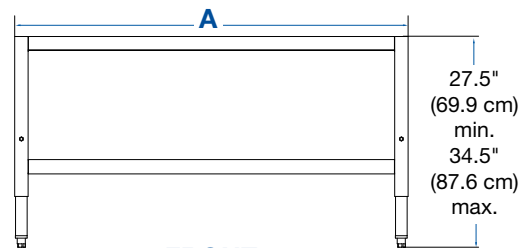


Catalog Number		Nominal Width	A	Shipping Weight
Fixed Feet	With Casters			
3730300	3730310	3'	38.5" (97.8 cm)	100 lbs. (45 kg)
3730400	3730410	4'	50.5" (128.3 cm)	105 lbs. (48 kg)
3830500	3830510	5'	62.5" (158.8 cm)	120 lbs. (54 kg)
3730600	3730610	6'	74.5" (189.2 cm)	125 lbs. (57 kg)

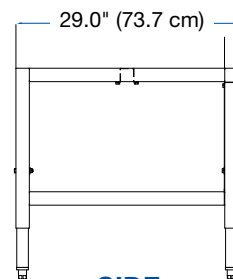
- Fully Welded design
- For all Labconco Class II BSC models
- Durable powder-coated steel construction
- Supports loads up to 4,000 lbs. (1814 kg)
- Durable 1.75" tubular, powder-coated steel frame
- Telescoping legs are adjustable to eight height positions at installation in 1" (2.5 cm) increments to provide a working height from 30" (76 cm) to 37" (94 cm)\*
- Four fixed leveling feet provided
- NSF approved
- ADA-compliant (stand height)

### Laptop Computer Arms.

For securing laptop within easy view. Mount to front of SoLo Base Stands (see page 24). Articulating arm raises, lowers and pivots. Include powder-coated steel arm and support surface with cloth loop fasteners and mounting hardware. **Installation is required.**



FRONT



SIDE

**Contact Labconco for ordering information on unassembled telescoping base stands. Unassembled base stands can be ordered with the biosafety cabinet as an optional accessory. Refer to the 7th digit of biosafety cabinet part number.**

**3857000—Seismic Bracket Kit.** Secures base stand to the floor in earthquake-prone regions. Includes four stainless steel brackets, two stiffening plates and floor hardware for attachment to stand. Floor hardware and installation required. Shipping weight 22 lbs. (9.8 kg)



**3730500—Caster Kit.** For converting telescoping base stands with fixed feet to mobile stands. Kit includes four 5" dia., polyurethane casters with toe locks. Load rating for each caster is 250 lbs. Casters add up to 7" - 11" (18 - 28 cm) to the overall depth of the base stand. **Installation required\*\*.** Shipping weight 22 lbs. (9.8 kg)

Catalog Number	For Use With	Shipping Weight
3869300	Telescoping & Hydraulic Base Stands	12 lbs. (5.4 kg)
3869200	SoLo Hydraulic Lift Base Stand	12 lbs. (5.4 kg)

\*Height selection and adjustment are required before enclosure is installed.

\*\*Enclosures supported by mobile base stands will require special modifications to incorporate flexible ducting, wiring and plumbing when applied.

# Class II Biosafety Cabinets

## Hydraulic Lift Base Stand



- For all Labconco Class II BSC models
- Support loads up to 1,000 lbs. (454 kg)
- Durable 1.75" (4.4 cm) tubular, powder-coated steel frame with rear crossbar supports. Sub-frame has 2.0" (5.1 cm) x 3.0" (7.6 cm) rectangular tubing
- Height is infinitely adjustable from 25.5" (64.8 cm) to 33.5" (85.1 cm)
- Durable powder-coated steel construction
- Accommodate persons of different heights and equipment transport through doorways with easier access to services
- Ships fully assembled
- Include four feet with levelers
- NSF-approved
- ADA-compliant
- Front-accessible up/down switch included (electric lift models)
- Front-accessible hand crank included. Handle folds out of way, when not in use (manual lift models)

### 4028600—Support Shelf.

Provides a work surface to support remote equipment. Powder-coated steel shelf mounts to left-side tubular frame of base stand. 12.0" w x 22.0" d (26 x 30 cm).

### Installation is required.

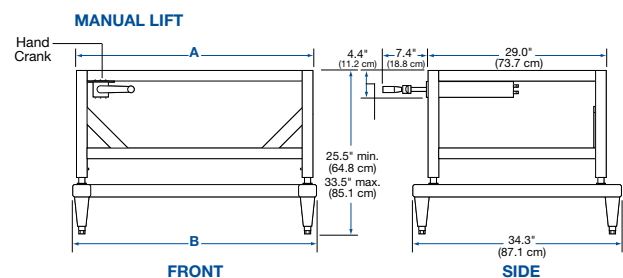
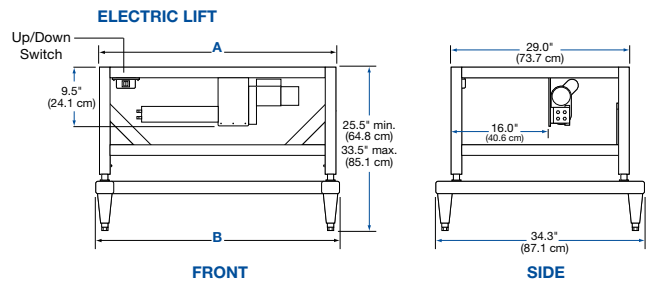
Shipping weight 23 lbs. (10 kg)



**3784000—Caster Kit.** Includes four 5" (13 cm) dia., polyurethane casters with toe locks. Load rating for each caster is 250 lbs. Casters add 2.5" - 7" (6.4-17.8 cm) to depth of BSC. **Installation is required.\*\*** Shipping weight 10 lbs. (5 kg)

Catalog Number	Nominal Width	Description	Shipping Weight
3780100		Electric. 115V, 60 Hz, 2.4A	
3780103*	3'	Electric. 230V, 50/60 Hz, 0.8A	150 lbs. (77 kg)
3780200		Manual	
3780101		Electric. 115V, 60 Hz, 2.4A	
3780104*	4'	Electric. 230V, 50/60 Hz, 0.8A	180 lbs. (82 kg)
3780201		Manual	
3780106		Electric. 115V, 60 Hz, 2.4A	
3780107*	5'	Electric. 230V, 50/60 Hz, 0.8A	195 lbs. (88 kg)
3780203		Manual	
3780102		Electric. 115V, 60 Hz, 2.4A	
3780105*	6'	Electric. 230V, 50/60 Hz, 0.8A	220 lbs. (100 kg)
3780202		Manual	

Nominal Width	A	B
3'	38.5" (97.8 cm)	39.7" (100.8 cm)
4'	50.5" (128.3 cm)	51.7" (131.3 cm)
5'	62.5" (158.8 cm)	63.9" (162.3 cm)
6'	74.5" (189.2 cm)	75.7" (192.3 cm)



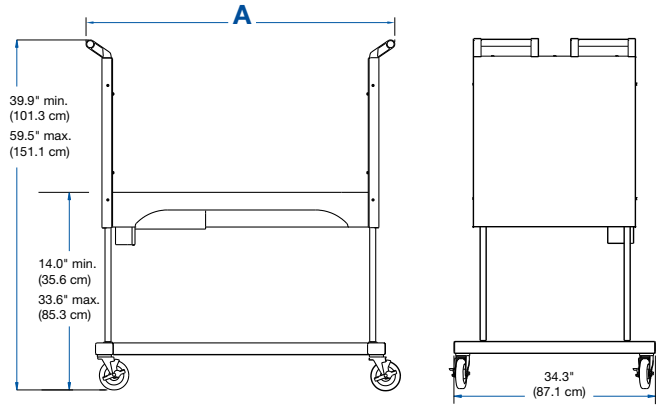
\*International electrical configuration

\*\*Enclosures supported by mobile base stands will require special modifications to incorporate flexible ducting, wiring and plumbing when applied.



# Class II Biosafety Cabinets

## SoLo™ Hydraulic Lift Base Stand



FRONT

SIDE

- For all Labconco Class II BSC models
- Built-in hydraulic provides flexible height adjustment and permits passage of through standard doorways as low as 78" (198 cm) high for A2 cabinets and 78.3" high for C1 biosafety cabinets.
- Infinitely adjustable height provides work surface heights from 17.2" (43.7 cm) to 36.8" (93.5 cm) and overall enclosure height as low as 76.2" (193.5 cm)
- Support loads up to 1,000 lbs. (454 kg)
- 5" (13 cm) dia., toe-locking, polyurethane casters
- Durable powder-coated steel construction
- Two handle bars facilitate transport.
- NSF-approved
- Shipped fully assembled

Catalog Number	Nominal Width	Exterior Width (A)	Electrical Requirements	Plug Type	Shipping Weight
<a href="#">3780310</a>	3'	53.5" (135.4 cm)	115V, 60 Hz, 2A  230V, 50/60 Hz, 3A	115V, 15A	390 lbs. (177 kg)
<a href="#">3780314</a>				230V for North America	
<a href="#">3780330</a>				230V for British (UK)	
<a href="#">3780334</a>				230V Schuko	
<a href="#">3780338</a>				230V for China/Australia	
<a href="#">3780311</a>	4'	65.5" (166.4 cm)	115V, 60 Hz, 2A  230V, 50/60 Hz, 3A	115V, 15A	420 lbs. (190 kg)
<a href="#">3780315</a>				230V for North America	
<a href="#">3780331</a>				230V for British (UK)	
<a href="#">3780335</a>				230V Schuko	
<a href="#">3780339</a>				230V for China/Australia	
<a href="#">3780312</a>	5'	77.5" (197 cm)	115V, 60 Hz, 2A  230V, 50/60 Hz, 3A	115V, 15A	460 lbs. (209 kg)
<a href="#">3780316</a>				230V for North America	
<a href="#">3780332</a>				230V for British (UK)	
<a href="#">3780336</a>				230V Schuko	
<a href="#">3780340</a>				230V for China/Australia	
<a href="#">3780313</a>	6'	89.5" (227.3 cm)	115V, 60 Hz, 2A  230V, 50/60 Hz, 3A	115V, 15A	500 lbs. (227 kg)
<a href="#">3780317</a>				230V for North America	
<a href="#">3780333</a>				230V for British (UK)	
<a href="#">3780337</a>				230V Schuko	
<a href="#">3780341</a>				230V for China/Australia	

# Class I Biosafety Cabinet

## Features & Benefits

### Class I Airflow

- Personnel and Environmental Protection Only
- Recirculating or Canopy Ducted

### Biological Containment

Verified per NSF 49 Personnel Protection Test.

### HEPA Filtration

99.99+% efficient at 0.3 micron.

### Tempered Safety Glass Front Sash and Sides

Excellent visibility and protection. Glass has better fire, scratch and corrosion resistance than acrylic.

### Perforated Rear Baffle

Promotes horizontal laminar airflow to maximize containment.

### Two Utility Ports

Two ports with iris openings allow passage of tubing and cords from inside.



### Upper Dilution Air Supply

Introduces room air at the top of the sash to dilute concentrations in the upper chamber and bathes the back of the sash with clean air.

### Ergonomic 10° Angled Sash

Allows a closer view, reduces glare and provides a more comfortable operating position than vertical sashes. The hinged sash pivots up and locks to a loading height of 20".

### Clean-Sweep™ Air Foil and Side-Entry Airfoils

Allow air to sweep across the interior surfaces and enhance containment.

### Intrinsically-Safe Design

The positive pressure impeller is surrounded by a negative pressure plenum.

### 254 nm UV Light, Digital Timer and Interlocking UV Protection Panel

For secondary decontamination. UV light timer - 5, 10, 15, 30, 60, 120, 240 and continuous.



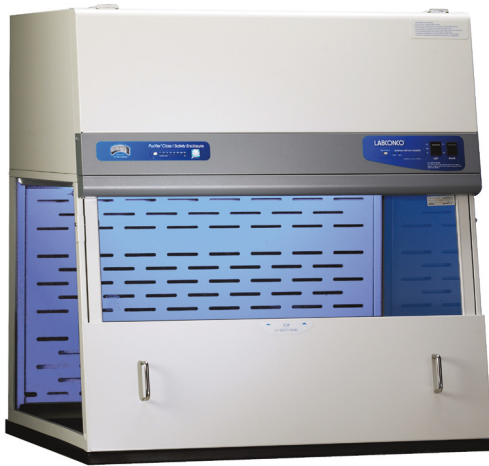
### Space-Saving Design

Impeller and HEPA filter are contained within the enclosure's upper plenum for a small overall footprint.

### Optional Guardian™ Airflow Monitor Alerts user to unsafe face velocities.

# Class I Biosafety Cabinet

## Specifications



### Standard Features

- Nominal inflow velocity of 75 to 105 fpm
- \* Ergonomic air foil with aerodynamic Clean-Sweep airflow openings
- \* Upper dilution air supply
- \* Zone-perforated rear baffle
- \* Side-entry air foils
- Exhaust HEPA filter, 99.99% efficient on 0.3 micron particles
- Variable speed built-in blower with dynamically-balanced, vibration-isolated motorized impeller and solid state control rated for 5 amps
- Intrinsically-safe, negative pressure design
- Differential pressure gauge
- Low discharge volume and quiet operation
- \* Upper containment sash foil

### Catalog Number Configurator:

Use this key to configure the seven digit catalog number to order your Class I Biosafety Cabinet.

3 9 8 0

Select the **WIDTH** of your cabinet. This is the fifth digit of your catalog number.

- 2** = 2' Shipping Weight: 189 lbs. (86 kg)
- 3** = 3' Shipping Weight: 225 lbs. (102 kg)
- 4** = 4' Shipping Weight: 275 lbs. (125 kg)

Select the **ELECTRICAL CONFIGURATION** and **PLUG TYPE**. This is the sixth digit of your catalog number.

- 0** = 115V, 15A
- 2** = 230V, 10A, no plug

- Glacier white and gray powder-coated aluminum frame and steel rear plenum and baffle
- Fluorescent lamp
- 254 nm UV lamp with interlocking UV protection panel and two support hooks located atop the bench for stowing the panel.
- \* Variable digital timer for UV exposure with eight settings in minutes of 5, 10, 15, 30, 60, 120, 240 and continuous
- Blower switch and 3-way light switch: UV, off and fluorescent
- 1/4" thick tempered safety glass front sash and sides
- 9.44" high sash opening
- Ergonomic 10° angled and hinged sash that pivots upward, locks to a loading height of 20" and has side wiping seals
- Two utility ports with iris openings
- Particulate containment tested
- Biological containment verified per NSF Standard Number 49 Personnel Protection Test
- ASHRAE 110 conformity tested
- UL 61010-1 and CAN/CSA C22.2 conformity (115 volt models)
- CE Mark (230 volt models)
- One year warranty
- Validation package available

### Standard Option

- Guardian Airflow Monitor that continuously monitors airflow and has two LED lights to indicate when airflow is within or outside set point range

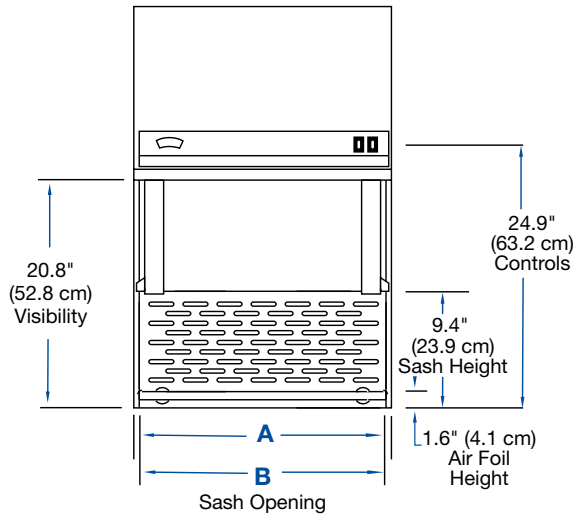
### Required Accessories

- Supporting work surface. Place on existing casework or see page 36
- Supporting base. Place on existing casework or see pages 38-39

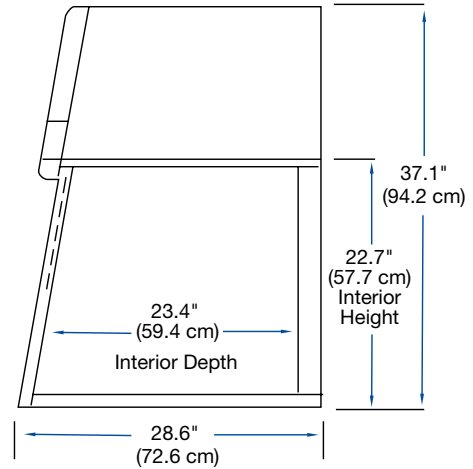


# Class I Biosafety Cabinet

## Dimensions & Work Surfaces

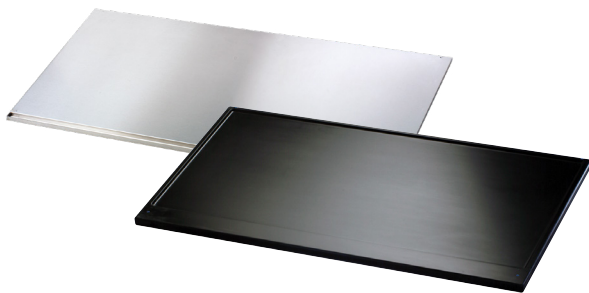


FRONT



SIDE

	2-Foot	3-Foot	4-Foot
<b>A</b>	24.0" (61.0 cm)	36.0" (91.4 cm)	48.0" (121.9 cm)
<b>B</b>	21.6" (54.9 cm)	33.6" (85.3 cm)	45.6" (115.8 cm)



**Solid Epoxy and Stainless Steel Work Surfaces.** Black, chemical resistant epoxy work surface is dished to contain spills. Type 304, 18 ga. stainless steel work surfaces have a 1" deep spill trough.

Catalog Number	Size and Material	Dimensions	Shipping Weight
<b>3909900</b>	2' - Epoxy	24.0" w x 29.0" d x 1.0" h (61 cm x 73.7 cm x 2.5 cm)	66 lbs. (30 kg)
<b>3909901</b>	3' - Epoxy	36.0" w x 29.0" d x 1.0" h (91.4 cm x 73.7 cm x 2.5 cm)	100 lbs. (45 kg)
<b>3909902</b>	4' - Epoxy	48.0" w x 29.0" d x 1.0" h (122 cm x 73.7 cm x 2.5 cm)	110 lbs. (50 kg)
<b>3970602</b>	2' - Stainless Steel	24.0" w x 29.0" d x 0.8" (61.0 x 73.7 x 2.0 cm)	88 lbs. (40 kg)
<b>3970603</b>	3' - Stainless Steel	36.0" w x 29.0" d x 0.8" (91.4 x 73.7 x 2.0 cm)	109 lbs. (49 kg)
<b>3970604</b>	4' - Stainless Steel	48.0" w x 29.0" d x 0.8" (121.9 x 73.7 x 2.0 cm)	138 lbs (63 kg)

# Class I Biosafety Cabinet

## Cabinet Accessories



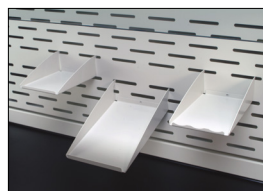
**Trace Odor Carbon Filters.** For installation atop the Class I Enclosure. Whether or not a Trace Odor Carbon Filter is appropriate for your application requires consideration of multiple factors, including the time-weighted exposure limits.

Our technical specialists can help you determine if the Trace Odor Carbon Filter is right for your application and help estimate filter life. To begin the process, please complete a Chemical Assessment form available at [labconco.com](http://labconco.com)

Catalog Number	Description	For use with:	Shipping Weight
3937200	Organic, 5.5 lbs. activated carbon	2'	10 lbs. (4.5 kg)
3937300	Organic, 9.2 lbs. activated carbon	3'	15 lbs. (6.8 kg)
3937400	Organic, 12.9 lbs. activated carbon	4'	23 lbs. (10 kg)
3937201	Formaldehyde, 7 lbs. impregnated carbon	2'	11 lbs. (5.0 kg)
3937301	Formaldehyde, 12 lbs. impregnated carbon	3'	18 lbs. (8.2 kg)
3937401	Formaldehyde, 16.8 lbs. impregnated carbon	4'	25 lbs. (11 kg)
3937202	Ammonia & Amines, 8 lbs. impregnated carbon	2'	15 lbs. (6.8 kg)
3937302	Ammonia & Amines, 13.5 lbs. impregnated carbon	3'	18 lbs. (8.2 kg)
3937402	Ammonia & Amines, 18.9 lbs. impregnated carbon	4'	25 lbs. (11 kg)

### Exhaust Dampers

Catalog Number	Nominal Diameter	Material	Shipping Weight
4724200	6"	PVC	10 lbs. (4.5 kg)
3924401	6"	Powder-coated steel	10 lbs. (4.5 kg)



**3925000—Utility Shelves.** Three powder-coated steel shelves attach to the rear baffle perforations to hold a printer, utensils and other miscellaneous supplies. The utensil shelf has a scalloped front edge for spatulas, brushes and other items. Shipping weight 5.0 lbs. (2.2 kg)



**3927700—Bottle Holder.** Powder-coated steel. Attaches to the rear baffle perforations to hold a squirt bottle or other round container. 3" diameter opening. Shipping weight 1.0 lb. (0.5 kg)



**3927800—Tissue Holder.** Powder-coated steel. Attaches to the rear baffle perforations to hold a 4.63" x 4.75" box of tissue wipers in the upside down position. An opening in the bottom of the holder permits tissues to be dispensed from the bottom. Shipping weight 1 lb. (0.5 kg)



**Canopy Connections.** Thimble-style connection for external exhaust when required. Thimble connection allows room air to enter the ductwork and mix with the air being exhausted from the enclosure. Outlet accepts 6" nominal diameter ductwork.

**Ductwork and remote blower or house exhaust are required (not included).**

Catalog Number	Enclosure Width	Exhaust Volume (CFM)	Shipping Weight
3924400	2' Connection	132	15 lbs. (6.8 kg)
3924401	3' Connection	206	31 lbs. (14 kg)
3924402	4' Connection	285	51 lbs. (23 kg)

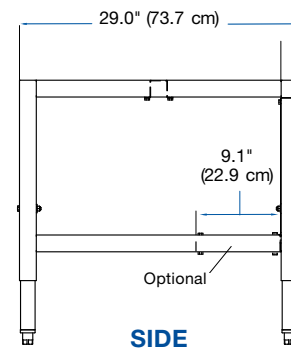
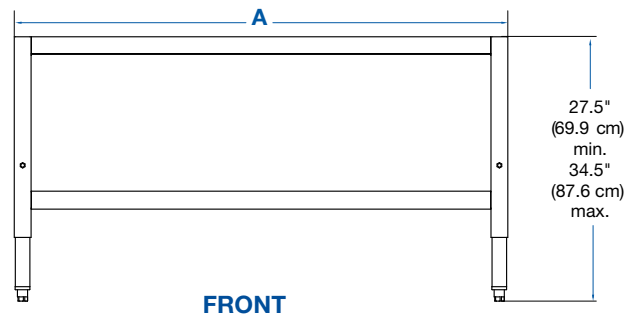


# Class I Biosafety Cabinet

## Telescoping Base Stand



WITH FIXED FEET



### Standard Features

- Models with fixed feet support loads up to 4,000 pounds (1814 kg). Models with casters support load up to 1,000 pounds (454 kg).
- Durable 1.75" tubular, powder-coated steel frame. Models 3' wide and larger have rear crossbar supports.
- Telescoping legs are adjustable to eight height positions in 1" increments from 27.5" to 34.5".
- Available with fixed leveling feet or 5" diameter, toe-locking, non-marking polyurethane casters with bearings for quiet operation.
- ADA-compliant.

Catalog Number		Nominal Width	A	Shipping Weight
Fixed Feet	With Casters			
3746700	3746710	2'	24.0" (61.0 cm)	85 lbs. (39 kg)
3746701	3746711	3'	36.0" (91.4 cm)	95 lbs. (43 kg)
3746702	3726712	4'	48.0" (121.9 cm)	110 lbs. (50 kg)

**3730500—Caster Kit.** For converting telescoping base stands with fixed feet to mobile stands. Kit includes four 5" dia., polyurethane casters with toe locks. Load rating for each caster is 250 lbs. Casters add up to 7"-11" (18 - 28 cm) to the overall depth of the base stand. **Installation required.** Shipping weight 22 lbs. (9.8 kg)

**Optional Accessory Shelves.** Glacier white, powder-coated, 16 gauge steel. Designed to hook on the lower rear horizontal cross member of the Telescoping Base Stand. Provides storage space for wipes, cleaning agents, gloves and other miscellaneous laboratory apparatus. One each.

Catalog Number	Nominal Width	Shelf Width x Depth	Shipping Weight
3811100	2'	20.4" x 9.9" (51.8 x 25.1 cm)	9 lbs. (4 kg)
3811101	3'	32.4" x 9.9" (82.3 x 25.1 cm)	12 lbs. (5 kg)
3811102	4'	44.4" x 9.9" (112.8 x 25.1 cm)	15 lbs. (7 kg)

# Class I Biosafety Cabinet

## Hydraulic Base Stand



### Standard Features

- Support loads up to 1,000 pounds (454 kg)
- Durable 1.75" tubular, powder-coated steel frame with rear crossbar supports. Sub-frame is 2.0" x 3.0"
- Height is infinitely adjustable from 25.5" to 33.5" high
- Include four powder-coated, die-cast feet with levelers
- Include front-accessible up/down switch (Electric Lift models)

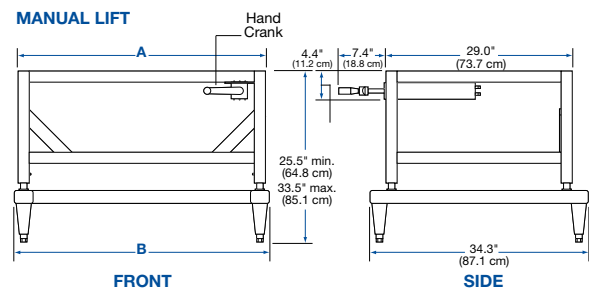
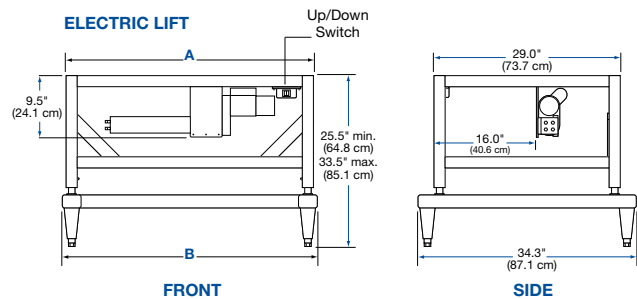
- Include front-accessible hand crank. Turning the crank clockwise raises the stand; counterclockwise lowers it. The handle may be disengaged and folded under, out of the way, when not in use. (Manual Lift models)
- ADA-compliant

Catalog Number	Nominal Width	Description	Shipping Weight
3780300		Electric. 115V, 60 Hz, 2.4A	
3780303*	3'	Electric. 230V, 50/60 Hz, 0.8A	105 lbs. (48 kg)
3780400		Manual	
3780301		Electric. 115V, 60 Hz, 2.4A	
3780304*	4'	Electric. 230V, 50/60 Hz, 0.8A	175 lbs. (79 kg)
3780401		Manual	

Nominal Width	A	B
3'	36.0" (91.4 cm)	37.2" (94.5 cm)
4'	48.0" (121.9 cm)	49.2" (125.0 cm)

3784000—Caster Kit. See page 32

4028600—Support Shelf. See page 32



**Visit [labconco.com](https://labconco.com) to request information  
for all Labconco products.**



**LABCONCO CORPORATION**

8811 Prospect Avenue  
Kansas City, MO 64132

(800) 821-5525 | (816) 333-8811

[labconco.com](https://labconco.com)

©2023 LABCONCO CORPORATION

Product design subject to change without notice.

2-55-5/19/23

